

TOUCH II

7" touchscreen, user friendly and totally programmable.
 Videos on display, ads, instructions.
 37 Languages.
 Free software for programming, telemetry, data analysis.
 USB Connection

OUTSTANDING FEATURES

Reversing drum action is standard.
 Stainless steel drum is standard.
 Frequency inverter is standard.

EFFICIENCY

EFFICIENT DRY - Intelligent humidity control, with new drum inlet temperature control.
 AIR RE-CYCLE - Efficient air recirculation system.
 THERMAL INSULATION - Complete air-flow circuit and double door glass.
 New optimized system of mixed airflow.

VERSATILITY

Make to order - customization.
 WET CLEANING configuration.

CONNECTIVITY

Standard IoT Domus Connect.
 Management for laundries: OPL and self-service.

ERGONOMICS

Lint Filter Drawer, stainless steel mesh.
 Large Loading doors.

MAINTENANCE

Hinged control panel: easy and ergonomic access.
 Technical menu: statistics for technicians.

OTHERS

Grey skin plate outer casing, stainless steel look.
NEW: Geared motor drive on models UDTT-100 to UDTT-180
 SFEX - Integrated Fire Extinguishing System.
 SOFT DRY - new drum with stamped holes.
 COOL DOWN - anti-wrinkle at the end of the cycle.
 Heating options: natural gas or propane.
 CE approved

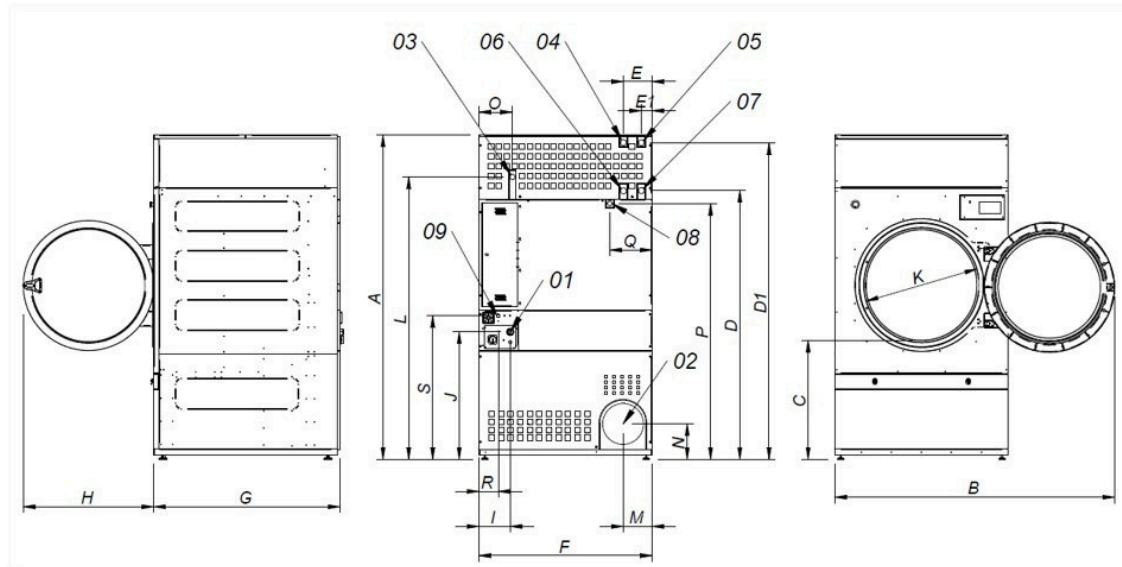


OPTIONS

- License IoT - Domus Connect
- Back panel with air filter UDTT-100/135/180
- Natural gas heated tumble dryer
- Automatic sliding door UDTT-100/135/180 (double glass)
- Manual sliding door UDTT-100/135/180 (no double glass)
- Tilting front kit UDTT-100/135/180
- Opposite door opening UDTT-100/135/180
- Tropicalized model
- Dosing Spraying
- Lint filter with grid 0,02 In (standard is 0,01 In)
- Lint filter with grid 0.04 In (standard is 0,01 In)
- Stainless steel front and side panels UDTT-100
- Front panel in stainless steel UDTT-100/135/180

CAPACITY & DRUM		UNIT.	UDTT-100 ECO-ENERGY
Capacity 1/18		Kg	49.8
		lb	110.2
Capacity 1/20		Kg	44.8
		lb	99.2
Ø Drum		mm	1225
		inch	48.23
Drum length		mm	760
		inch	29.92
Drum volume		l	900
		cu ft	31.78
Ø Door hole		mm	802
		inch	31.57
Door center height		mm	1275
		inch	50.20
Height from floor to bottom of door		mm	813
		inch	31.99
ELECTRIC HEATING			
Evaporation capacity		L/h	45
		US gallon/h	11.9
Hourly output		Kg/h	90
		lb/h	198.4
Installed heating power		kW	54
Installed electrical power		kW	57
Drum motor power		kW	0.75
GAS HEATING			
Evaporation capacity (gas model)		L/h	48.20
		US gallon/h	12.7
Hourly output (gas model)		Kg/h	96.40
		lb/h	212.5
Installed gas heating power		kcal/h	51591
		Btu/h	204729
Installed gas heating power		kW	60
Installed electrical power		kW	3
Instant propane gas consumption (G31)		Kg/h	5.14
		lb/h	11.33
Instant natural gas consumption (G20)		m ³ /h	6.35
		cfm	3.74
Ø Gas inlet		BSPP ISO 228-1	3/4"
STEAM HEATING			
Installed steam heating power		kW	91.30
		Btu/h	310505
Installed electrical power		kW	3
Steam consumption (8 barG) - Standard		kg/h	121
Steam consumption (116 psiG)		lb/h	145.8
Steam pressure		barG	7 - 12
		psiG	101.5 - 175
Standard steam inlet - outlet		BSPT- ISO7.1	1"
Standard steam inlet - outlet		NPT ANSI B1.20.1 Tapered	1"
Steam consumption (5 barG) - Low Pressure		kg/h	142
Steam consumption (72,5 psiG) - Low Pressure		lb/h	171.1
Steam pressure (low pressure)		barG	4 - 7
		psiG	58 - 101.5
Low pressure steam inlet - outlet		BSPT- ISO7.1	1" 1/2
THERMAL OIL HEATING			
Installed heating power		kW	91
Installed electrical power		kW	3
Fluid consumption (T max 175°C)		m ³ /h	7

Thermal oil connection	BSP	1" 1/2	
VENTILATION			
Fan motor power	kW	2.20	
	m ³ /h	4500	
Nominal air flow rate	cfm	2648.6	
Ø Fume exhaust	mm	300	
Ø Fume exhaust	inch	11.81	
HEAT EMISSION			
Maximum total heat emission	kW	3.78	
	Btu/h	12905.4	
Max. front heat emission	kW	1.08	
	Btu/h	3687.3	
CONNECTIONS			
Voltage 208-240/60/1~ + G	-	E	G
Voltage 230/3~ + G	Nº x AWG / A	-	4 X 12/20 A
Voltage 440-480/3 ~ + G	Nº x AWG / A	-	4 X 14/15 A
NET DIMENSIONS / D. WITH PACKING			
Net / gross width	mm	1270 / 1330	
	inch	50 / 52.36	
Net / gross depth	mm	1106 / 1185	
	inch	43.54 / 46.65	
Net height / gross height without heating	mm	2380 /*2200	
	inch	93.70 /*86.61	
Net / gross weight	Kg	395 / 430	
	lb	870.83 / 947.99	
OTHERS			
Sound level	dB	67	



- 01 Power supply
- 02 Fumes output Ø 300
- 03 Gas inlet 1/2"
- 04 Steam inlet 1" (UDTT-100)
- 05 Steam inlet 1" (UDTT-135-180)
- 06 Condensate outlet 1" (UDTT-100)
- 07 Condensate outlet 1" (UDTT-135-180)
- 08 Sprinkler valve 3/4"
- 09 Ethernet connection (only TOUCH Control)

UDTT-100	A	B	C	D	D1	E	E1	F	G	H	I	J	K	L	M	N	O	P	Q	R	S
ECO-ENERGY	93.70	80.51	34.4	77.99	90.98	8.30	3.1	50	43.54	37.6	9.76	36.8	31.5	82.20	8.42	9.44	9.60	72.48	12.1	6.29	41.45