

TOUCH II

7" touchscreen, user friendly and totally programmable.
 Videos on display, ads, instructions.
 37 Languages.
 Free software for programming, telemetry, data analysis.
 USB Connection

G FORCE

G-FACTOR 200: 25 - 100 Lbs.
 G-FACTOR 150: 135- 180 Lbs.

EFFICIENCY

Intelligent consumption: automatic adjustment of water and soap consumptions (standard).
 Optimal loading: manual indication of weight.
 Low water consumption.

VERSATILITY

Custom - Make to order.
 OPL or Self-service.
 Electric or Hot water.
 Wet cleaning features.

CONNECTIVITY

IoT - **DOMUSCONNECT** standard.
 Remote technical service.
 Management of laundries: self-service & OPL.

ERGONOMICS

Reversible doors.
 Large Loading doors:
 • Ø 373 (25, 30 Lbs.)
 • Ø 460 (40, 50, 65 Lbs.)
 • Ø 560 (80 ,100, 135 lbs.)

MAINTENANCE

Hinged control panel: easy and ergonomic access.
 Technical menu: statistics for technicians.
 Equivalent parts for all models: electronic parts, contactors.

OTHERS

Hard mounted washers.
 Anchoring to floor with anchoring base.
 Panels in skin plate.
 3 water inlets.
 CB and WRAS approved product.

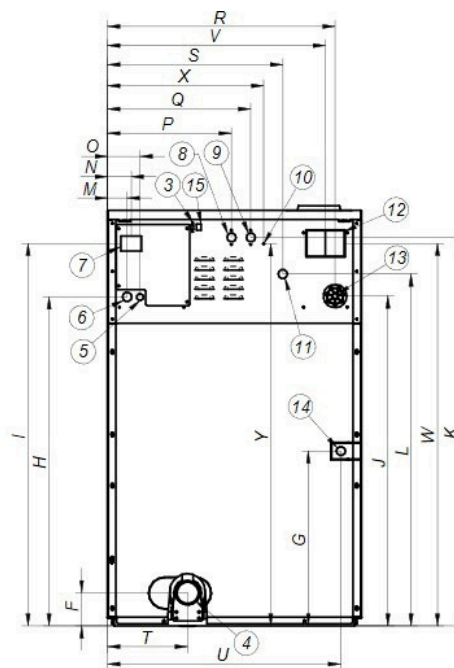
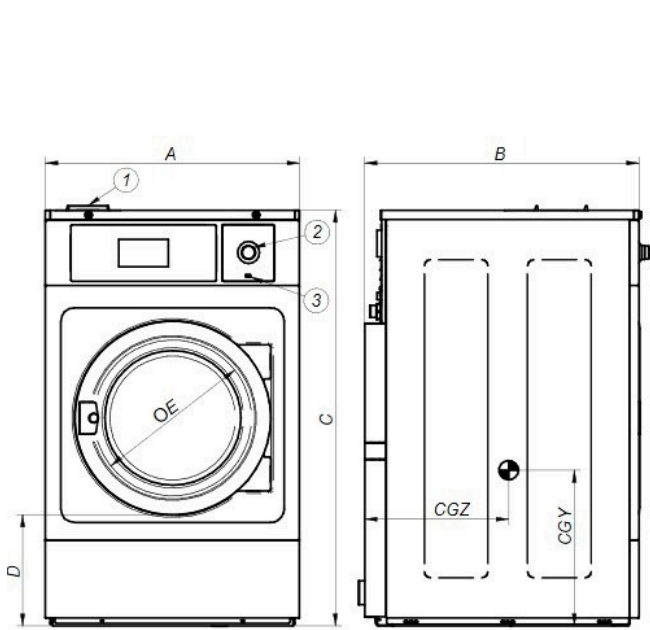


OPTIONS

- License IoT - Domus Connect
- Ready for ECOTANK XL conn. 1" for washers DLU/DHU-80C/100C
- EXTRA DOSING PUMP DB-1
- 230V 3~ 50/60Hz DLU-80C-100C
- SLUICE - Drum with 0.31 In holes for DLU-80C
- Anchoring base for DLU-80C
- Double drain kit for DLU-40/50/65/80C/100C
- Normally closed valve DLU-80C/100C
- Kit to transform an E or HW DLU-135C/180C to steam
- Tropicalized model: protected board (TOUCH II)
- 6 extra dosing signals card for DLU-25 to DLU-100C
- Reverse door opening
- Stainless steel AISI 304 outer casing for DLU-80C
- Stainless steel AISI 304 top and front panel for DLU-80C/100C
- Auto unlock kit for the door (in case of power failure) DLU-DHU

| DRUM | UNIT. | DLU-80C TOUCH II | |
|---|---------------------|------------------|--------------|
| Capacity 1/9 | Lb. | 86 | |
| Capacity 1/10 | Lb. | 77.2 | |
| Volume | Cu.Ft | 12.4 | |
| Diameter | in | 33.9 | |
| Depth | In | 23.7 | |
| GENERAL DETAILS | | | |
| Washing speed / Spinning speed | r.p.m. | 45/644 | |
| G Factor | - | 200 | |
| Maximum force transmitted | KN | 4,59 ±8 | |
| Frequency-dynamic force | Hz | 7,58 | |
| Noise level | dB | <70 | |
| Coin laundry version | - | Yes | |
| Double drain | - | Opt. | |
| Weighing system / Tilting door | - | No | |
| SLUICE option | - | Yes | |
| DOOR | | | |
| Height center door / Height door | In | 29/17.3 | |
| Diameter | In | 22.1 | |
| POWER | | | |
| Motor | Hp | 5.4 | |
| Electric heating power | kW | 21 | |
| Total electric power (electric model) | kW | 22 | |
| Total electric power (hw, steam model) | kW | 4 | |
| CONNECTIONS | | E | HW/S |
| Voltage 208-240/60/1~ + G | Nº x AWG / A | - | 3 x 12 / 20A |
| Voltage 230/3~ + G | Nº x AWG / A | 4 x 6 / 70A | 4 x 12 / 20A |
| Voltage 440-480/3 ~ + G | Nº x AWG / A | 4 x 8 / 45A | - |
| Steam inlet (Steam model) | inch | 3/4" | |
| Maximum steam consumption (Steam model) | Kg/h | 18 | |
| Water inlet | inch | 3/4" | |
| Water main pressure | Kgs/cm ² | 2-4 | |
| Maximum water consumption* | Gal/h | 52.7* | |
| Drain | mm/inch | 3" | |
| Drainage capacity | Gal/min | 52.8 | |
| DIMENSIONS / PACKING DIMENSIONS | | | |
| Net Width/Gross width | In | 38.54/41.2 | |
| Net Depth/Gross depth | In | 41.97/50.4 | |
| Net Height / Gross height | In | 55.55/65.2 | |
| Net weight / Gross weight | Lb. | 1049.6/1124.6 | |
| Volume | Ft ³ | 77.7 | |

* Program No. 20: DLU-25 to DLU-100C with 75% load and program no. 2: DLU-135C and 180C with 100% load



1. Soap dispenser
2. Emergency stop
3. USB port
4. Drain
5. Electric connection to liquid soap pumps
6. Electrical connection
7. Main switch
8. Auxiliary water inlet
9. Hot water inlet
10. Equipotential connection
11. Cold water inlet
12. Blur output / Water overload
13. Liquid soap connection
14. Steam connection
15. Ethernet port
16. Clean side light

| | | A | B | C | D | E | F | G | H | I | J | K | L | M | N | O | P | Q | R | S | T | U | V | W | X | Y | CGY | CGZ |
|---------|------|-------|-------|-------|-------|-------|------|-------|-------|-------|-------|-------|-------|------|------|------|-------|-------|-------|-------|-------|-------|-------|-------|-------|-------|-------|-------|
| DLU-80C | mm | 979 | 1155 | 1411 | 370 | 560 | 149 | 623 | 1139 | 1307 | 1116 | 1322 | 1211 | 61 | 74 | 101 | 544 | 625 | 885 | 715 | 262 | 917 | 855 | 1281 | 760 | 1367 | 635 | 682 |
| | inch | 38.54 | 45.47 | 55.55 | 14.57 | 22.05 | 5.87 | 24.53 | 44.84 | 51.46 | 43.94 | 52.05 | 47.68 | 2.40 | 2.91 | 3.98 | 21.46 | 24.61 | 34.84 | 28.15 | 10.31 | 36.10 | 33.66 | 50.43 | 29.92 | 53.82 | 25.00 | 26.85 |