

TOUCH II

7" touchscreen, user friendly and totally programmable.
 Videos on display, ads, instructions.
 37 Languages.
 Free software for programming, telemetry, data analysis.
 USB Connection

G FORCE

G-FACTOR 200: 25 - 100 Lbs.
 G-FACTOR 150: 135- 180 Lbs.

EFFICIENCY

Intelligent consumption: automatic adjustment of water and soap consumptions (standard).
 Optimal loading: manual indication of weight.
 Low water consumption.

VERSATILITY

Custom - Make to order.
 OPL or Self-service.
 Electric or Hot water.
 Wet cleaning features.

CONNECTIVITY

IoT - **DOMUSCONNECT** standard.
 Remote technical service.
 Management of laundries: self-service & OPL.

ERGONOMICS

Reversible doors.
 Large Loading doors:
 • Ø 373 (25, 30 Lbs.)
 • Ø 460 (40, 50, 65 Lbs.)
 • Ø 560 (80 ,100, 135 lbs.)

MAINTENANCE

Hinged control panel: easy and ergonomic access.
 Technical menu: statistics for technicians.
 Equivalent parts for all models: electronic parts, contactors.

OTHERS

Hard mounted washers.
 Anchoring to floor with anchoring base.
 Panels in skin plate.
 3 water inlets.
 CB and WRAS approved product.

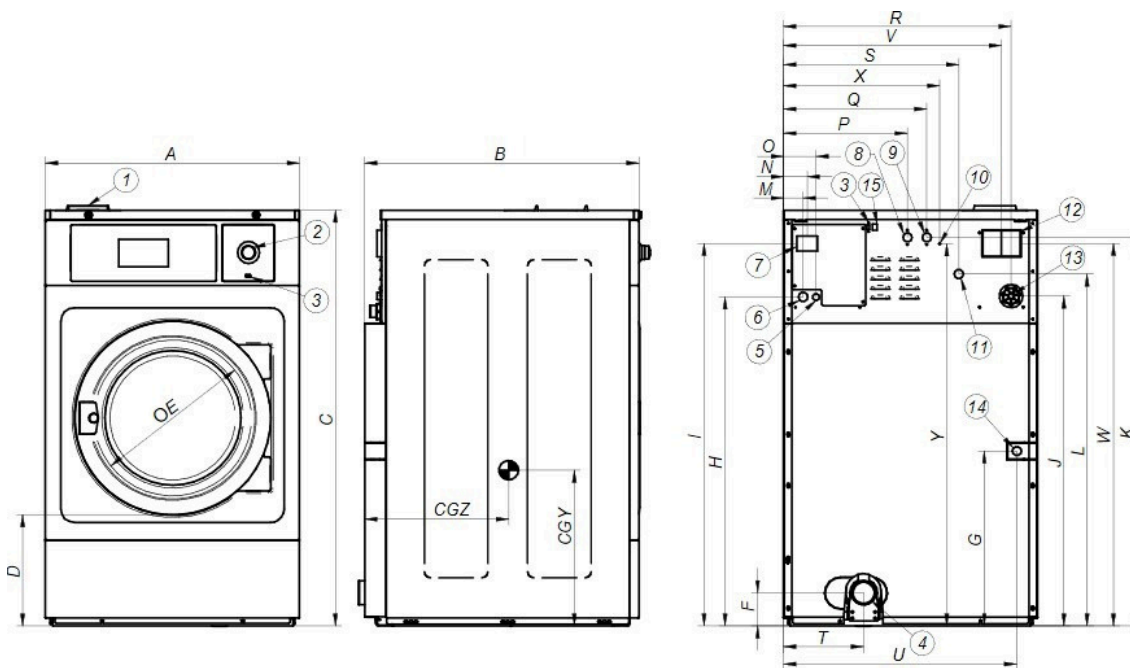


OPTIONS

- License IoT - Domus Connect
- Ready for ECOTANK XL conn. 1" for washers DLU/DHU-80C/100C
- EXTRA DOSING PUMP DB-1
- 230V 3~ 50/60Hz DLU-80C-100C
- SLUICE - Drum with 0.31 In holes for DLU-100C
- Anchoring base for DLU-100C
- Double drain kit for DLU-40/50/65/80C/100C
- Normally closed valve DLU-80C/100C
- 6 extra dosing signals card for DLU-25 to DLU-100C
- Reverse door opening
- Tropicalized model: protected board (TOUCH II)
- Kit to transform an E or HW DLU-135C/180C to steam
- Stainless steel AISI 304 outer casing for DLU-100C
- Stainless steel AISI 304 top and front panel for DLU-80C/100C
- Auto unlock kit for the door (in case of power failure) DLU-DHU

DRUM	UNIT.	DLU-100C TOUCH II	
Capacity 1/9	Lb.	103.6	
Capacity 1/10	Lb.	92.6	
Volume	Cu.Ft	15.9	
Diameter	in	33.9	
Depth	In	28.4	
GENERAL DETAILS			
Washing speed / Spinning speed	r.p.m.	45/644	
G Factor	-	200	
Maximum force transmitted	KN	5.9 ±8	
Frequency-dynamic force	Hz	7.58	
Noise level	dB	<70	
Coin laundry version	-	Yes	
Double drain	-	Opt.	
Weighing system / Tilting door	-	No	
SLUICE option	-	Yes	
DOOR			
Height center door / Height door	In	29/17.3	
Diameter	In	22.1	
POWER			
Motor	Hp	8	
Electric heating power	kW	21	
Total electric power (electric model)	kW	22	
Total electric power (hw, steam model)	kW	6	
CONNECTIONS		E	HW/S
Voltage 208-240/60/1~ + G	Nº x AWG / A	-	-
Voltage 230/3~ + G	Nº x AWG / A	4 x 6 / 70A	4 x 10 / 30A
Voltage 440-480/3 ~ + G	Nº x AWG / A	4 x 8 / 45A	4 x 15 / 15A
Steam inlet (Steam model)	inch	3/4"	
Maximum steam consumption (Steam model)	Kg/h	21	
Water inlet	inch	3/4"	
Water main pressure	Kgs/cm ²	2-4	
Maximum water consumption*	Gal/h	67.7*	
Drain	mm/inch	3"	
Drainage capacity	Gal/min	52.8	
DIMENSIONS / PACKING DIMENSIONS			
Net Width/Gross width	In	38.54/44.3	
Net Depth/Gross depth	In	52.17/56.7	
Net Height / Gross height	In	55.55/64.6	
Net weight / Gross weight	Lb.	1323/1477.4	
Volume	Ft ³	91.8	

* Program No. 20: DLU-25 to DLU-100C with 75% load and program no. 2: DLU-135C and 180C with 100% load



1. Soap dispenser
2. Emergency stop
3. USB port
4. Drain
5. Electric connection to liquid soap pumps
6. Electrical connection
7. Main switch
8. Auxiliary water inlet
9. Hot water inlet
10. Equipotential connection
11. Cold water inlet
12. Blur output / Water overload
13. Liquid soap connection
14. Steam connection
15. Ethernet port
16. Clean side light

		A	B	C	D	E	F	G	H	I	J	K	L	M	N	O	P	Q	R	S	T	U	V	W	X	Y	CGY	CGZ
DLU-100C	mm	979	1325	1411	370	560	154	623	1139	1307	1116	1322	1211	61	74	101	545	625	885	715	262	917	855	1281	760	1367	635	760
	inch	38.54	52.17	55.55	14.57	22.05	6.06	24.53	44.84	51.46	43.94	52.05	47.68	2.40	2.91	3.98	21.46	24.61	34.84	28.15	10.31	36.10	33.66	50.43	29.92	53.82	25.00	29.92