

## TOUCH II

7" touchscreen, user friendly and totally programmable.  
 Videos on display, ads, instructions.  
 37 Languages.  
 Free software for programming, telemetry, data analysis.  
 USB Connection

## OUTSTANDING FEATURES

Reversing drum action is standard.  
 Stainless steel drum (**optional**).  
 Frequency inverter is standard.

## EFFICIENCY

**Double Flow:** mixed axial-radial airflow, Optional.  
 Large Lint filter.

## VERSATILITY

Make to order - customization.  
 OPL > Coin laundry - Standard OPL model easily transformable to coin laundry uses WET CLEANING configuration.

## CONNECTIVITY

IoT - **DOMUSCONNECT** standard.  
 Management of laundries: OPL and self-service.

## ERGONOMICS

Lint Filter Drawer, stainless steel mesh.  
 Large Loading doors.

## MAINTENANCE

Hinged control panel: easy and ergonomic access.  
 Technical menu: statistics for technicians.  
 Easy access to parts for reparability.

## OTHERS

Grey skin plate outer casing, stainless steel look.  
**NEW:** Geared motor drive on models UDTT-100 to UDTT-180  
 SOFT DRY - new drum with stamped holes.  
 COOL DOWN - anti-wrinkle at the end of the cycle.  
 Heating options: natural gas and propane.  
 CE approved

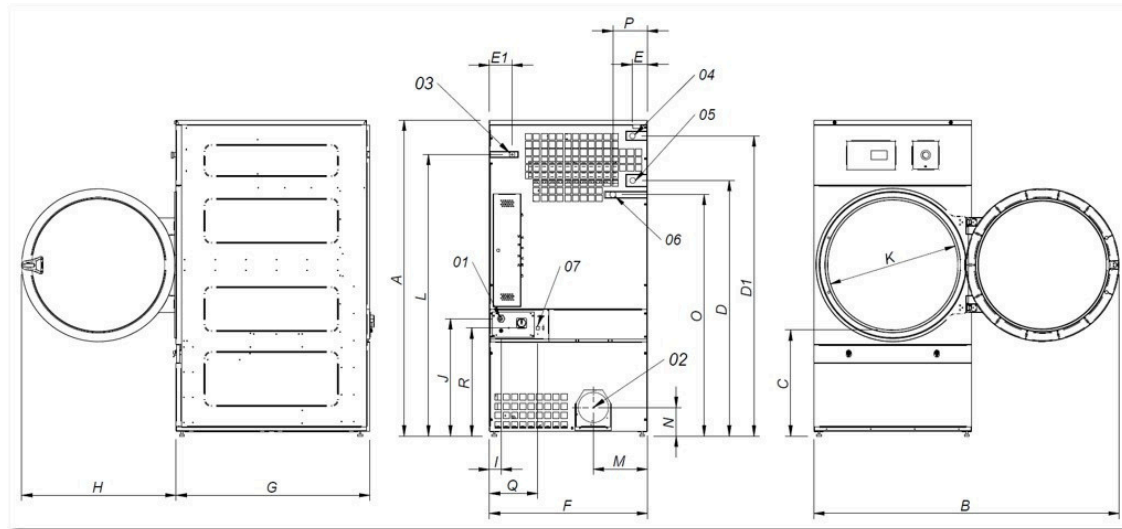


## OPTIONS

- License IoT - Domus Connect
- Natural gas heated tumble dryer
- EFFICIENT DRY Humidity sensor
- Double door glass UDTT-65 to UDTT-180
- Fire extinguisher SFEX UDTT-80
- Opposite door opening UDTT-25 to UDTT-80
- Tropicalized model
- Dosing-spraying
- Back panel with air filter UDTT-25 to UDTT-80
- Lint filter with grid 0.02 In (standard is 0.01 In)
- Lint filter with grid 0.04 In (standard is 0.01 In)
- Stainless steel front and side panels UDTT-80
- Front panel in stainless steel UDTT-65/80

CAPACITY & DRUM		UNIT.	UDTT-80
Capacity 1/18		Kg	36.7
		lb	80.8
Capacity 1/20		Kg	33
		lb	72.8
Ø Drum		mm	947
		inch	37.28
Drum length		mm	936
		inch	36.85
Drum volume		l	660
		cu ft	23.30
Ø Door hole		mm	802
		inch	31.57
Door center height		mm	1040
		inch	40.94
Height from floor to bottom of door		mm	578
		inch	22.74
ELECTRIC HEATING			
Evaporation capacity		L/h	31.1
		US gallon/h	8.2
Hourly output		Kg/h	60
		lb/h	132.3
Installed heating power		kW	36
Installed electrical power		kW	37.15
Drum motor power		kW	0.55
GAS HEATING			
Evaporation capacity (gas model)		L/h	32.1
		US gallon/h	8480
Hourly output (gas model)		Kg/h	63.9
		lb/h	140.9
Installed gas heating power		kcal/h	352761
		Btu/h	39986.5
Installed gas heating power		kW	41
Installed electrical power		kW	1.15
Instant propane gas consumption (G31)		Kg/h	6.51
		lb/h	7.74
Instant natural gas consumption (G20)		m <sup>3</sup> /h	4.34
		cfm	2.55
Ø Gas inlet		BSPP ISO 228-1	1/2"
STEAM HEATING			
Installed steam heating power		kW	50.1
		Btu/h	170648
Installed electrical power		kW	1.15
Steam consumption (8 barG) - Standard		kg/h	89
Steam consumption (116 psiG)		lb/h	107.2
Steam pressure		barG	6 - 9
		psiG	87 - 130.5
Standard steam inlet - outlet		BSPT- ISO7.1	1"
Standard steam inlet - outlet		NPT ANSI B1.20.1 Tapered	1"
Steam consumption (5 barG) - Low Pressure		kg/h	93
Steam consumption (72,5 psiG) - Low Pressure		lb/h	112
Steam pressure (low pressure)		barG	3 - 6
		psiG	43.5 - 89
Low pressure steam inlet - outlet		BSPT- ISO7.1	1" 1/2
THERMAL OIL HEATING			
Installed heating power		kW	-
Installed electrical power		kW	-
Fluid consumption (T max 175°C)		m <sup>3</sup> /h	-

Thermal oil connection	BSP		
<b>VENTILATION</b>			
Fan motor power	kW	0.55	
Nominal air flow rate	m <sup>3</sup> /h	1200	
	cfm	706.29	
Ø Fume exhaust	mm	200	
Ø Fume exhaust	inch	7.87	
<b>HEAT EMISSION</b>			
Maximum total heat emission	kW	2.88	
	Btu/h	12290.9	
Max. front heat emission	kW	2.52	
	Btu/h	8603.6	
<b>CONNECTIONS</b>			
Voltage 120/60/1~ + G	Nº x AWG / A	E	G
Voltage 230 - 3~ + G	-	-	3 X 12 /20 A
Voltage 480- 3~ + G	-	-	-
<b>NET DIMENSIONS / D. WITH PACKING</b>			
Net / gross width	mm	985 / 1.065	
	inch	38,78 / 41,93	
Net / gross depth	mm	1.210 / 1.310	
	inch	47,64 / 51,57	
Net height / gross height without heating	mm	1.975 / 2.080	
	inch	77,76 / 81,89	
Net / gross weight	Kg	260 / 285	
	lb	573,20 / 628,32	
<b>OTHERS</b>			
Sound level	dB	64	



- 01 Power supply
- 02 Fumes output Ø 200
- 03 Gas inlet 1/2"
- 04 Steam inlet 1"
- 05 Condensate 1"
- 06 Sprinkler valve 3/4"
- 07 Ethernet connection (only TOUCH Control)

	A	B	C	D	D1	E	E1	F	G	H	I	J	K	L	M	N	O	P	Q	R
UDTT-80	71.75	75.19	25.98	62.59	73.81	4.01	5.11	38.77	47.63	38.18	2.75	28.74	31.57	69.29	13.2	7.00	59.44	8.46	11.8	26.61