

TOUCH II

7" touchscreen, user friendly and totally programmable.
 Videos on display, ads, instructions.
 37 Languages.
 Free software for programming, telemetry, data analysis.
 USB Connection

OUTSTANDING FEATURES

Reversing drum action is standard.
 Stainless steel drum (**optional**).
 Frequency inverter is standard.

EFFICIENCY

Double Flow: mixed axial-radial airflow, Optional.
 Large Lint filter.

VERSATILITY

Make to order - customization.
 OPL > Coin laundry - Standard OPL model easily transformable to coin laundry uses WET CLEANING configuration.

CONNECTIVITY

IoT - **DOMUSCONNECT** standard.
 Management of laundries: OPL and self-service.

ERGONOMICS

Lint Filter Drawer, stainless steel mesh.
 Large Loading doors.

MAINTENANCE

Hinged control panel: easy and ergonomic access.
 Technical menu: statistics for technicians.
 Easy access to parts for reparability.

OTHERS

Grey skin plate outer casing, stainless steel look.
NEW: Geared motor drive on models UDTT-100 to UDTT-180
 SOFT DRY - new drum with stamped holes.
 COOL DOWN - anti-wrinkle at the end of the cycle.
 Heating options: natural gas and propane.
 CE approved

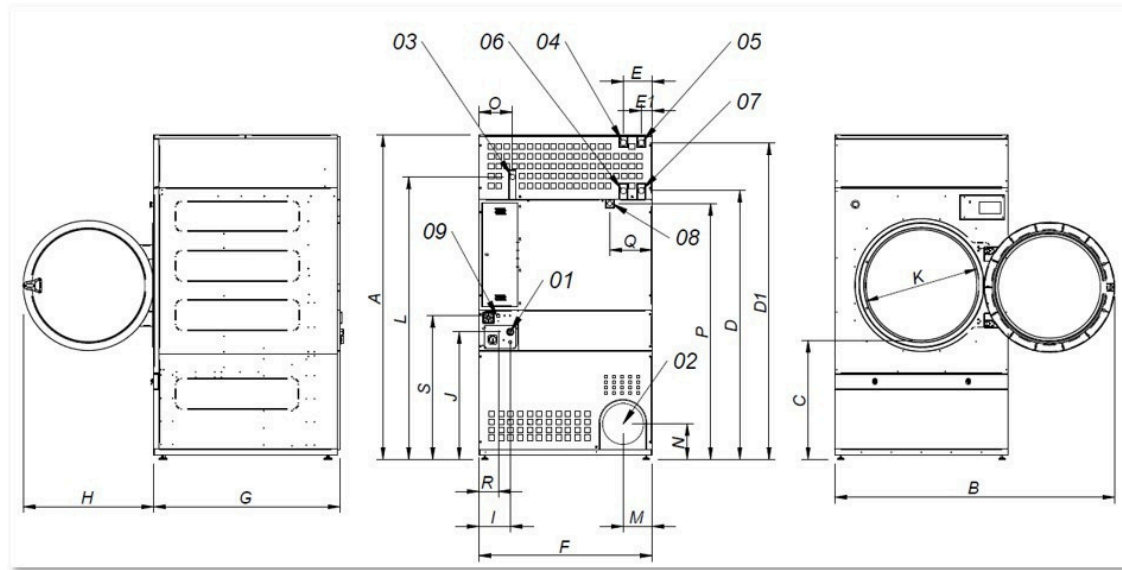


OPTIONS

- License IoT - Domus Connect
- Back panel with air filter UDTT-100/135/180
- Natural gas heated tumble dryer
- Automatic sliding door UDTT-100/135/180 (double glass)
- Manual sliding door UDTT-100/135/180 (no double glass)
- EFFICIENT DRY Humidity sensor
- Double door glass UDTT-65 to UDTT-180
- Fire extinguisher SFEX UDTT-100
- Opposite door opening UDTT-100/135/180
- Tropicalized model
- Dosing-spraying
- Back panel with air filter UDTT-25 to UDTT-80
- Lint filter with grid 0.02 In (standard is 0.01 In)
- Lint filter with grid 0.04 In (standard is 0.01 In)
- Stainless steel front and side panels UDTT-100
- Front panel in stainless steel UDTT-100/135/180

CAPACITY & DRUM		UNIT.	UDTT-100
Capacity 1/18		Kg	50
		lb	110.2
Capacity 1/20		Kg	45
		lb	99.2
Ø Drum		mm	1225
		inch	48.23
Drum length		mm	760
		inch	29.92
Drum volume		l	900
		cu ft	31.78
Ø Door hole		mm	802
		inch	31.57
Door center height		mm	1275
		inch	5020
Height from floor to bottom of door		mm	813
		inch	31.99
ELECTRIC HEATING			
Evaporation capacity		L/h	40.2
		US gallon/h	10.6
Hourly output		Kg/h	80.4
		lb/h	177.2
Installed heating power		kW	54
Installed electrical power		kW	55.9
Drum motor power		kW	0.75
GAS HEATING			
Evaporation capacity (gas model)		L/h	42.5
		US gallon/h	11.227
Hourly output (gas model)		Kg/h	84.4
		lb/h	186.1
Installed gas heating power		kcal/h	51591
		Btu/h	204728.5
Installed gas heating power		kW	60
Installed electrical power		kW	1.9
Instant propane gas consumption (G31)		Kg/h	5.14
		lb/h	11.33
Instant natural gas consumption (G20)		m ³ /h	6.35
		cfm	3.74
Ø Gas inlet		BSPP ISO 228-1	3/4"
STEAM HEATING			
Installed steam heating power		kW	91
		Btu/h	310505
Installed electrical power		kW	1.9
Steam consumption (8 barG) - Standard		kg/h	121
Steam consumption (116 psiG)		lb/h	145.8
Steam pressure		barG	7 - 12
		psiG	101.5 - 174
Standard steam inlet - outlet		BSPT- ISO7.1	1"
Standard steam inlet - outlet		NPT ANSI B1.20.1 Tapered	1"
Steam consumption (5 barG) - Low Pressure		kg/h	142
Steam consumption (72,5 psiG) - Low Pressure		lb/h	171.1
Steam pressure (low pressure)		barG	4 - 7
		psiG	58 - 101.5
Low pressure steam inlet - outlet		BSPT- ISO7.1	1" 1/2
THERMAL OIL HEATING			
Installed heating power		kW	91
Installed electrical power		kW	1.9
Fluid consumption (T max 175°C)		m ³ /h	7

Thermal oil connection	BSP	1" 1/2	
VENTILATION			
Fan motor power	kW	1.1	
Nominal air flow rate	m ³ /h	3000	
	cfm	1765.73	
Ø Fume exhaust	mm	300	
Ø Fume exhaust	inch	11.81	
HEAT EMISSION			
Maximum total heat emission	kW	16592,7	
	Btu/h	16592,7	
Max. front heat emission	kW	2,16	
	Btu/h	7374,5	
CONNECTIONS			
Voltage 208-240/60/1~ + G	-	E	G
Voltage 230/3~ + G	Nº x AWG / A	-	4 X 12 / 20 A
Voltage 440-480/3 ~ + G	Nº x AWG / A	-	4 X 14/15 A
NET DIMENSIONS / D. WITH PACKING			
Net / gross width	mm	1270 / 1330	
	inch	50 / 52.36	
Net / gross depth	mm	1106 / 1185	
	inch	43.54 / 46.65	
Net height / gross height without heating	mm	2380 /*2200	
	inch	93.70 /*86.61	
Net / gross weight	Kg	395 / 430	
	lb	870.83 / 947.99	
OTHERS			
Sound level	dB	67	



- 01 Power supply
- 02 Fumes output Ø 300
- 03 Gas inlet 1/2"
- 04 Steam inlet 1"
(UDTT-100)
- 05 Steam inlet 1"
(UDTT-135-180)
- 06 Condensate outlet 1"
(UDTT-100)
- 07 Condensate outlet 1"
(UDTT-135-180)
- 08 Sprinkler valve 3/4"
- 09 Ethernet connection
(only TOUCH Control)

UDTT-	A	B	C	D	D1	E	E1	F	G	H	I	J	K	L	M	N	O	P	Q	R	S
100	93.70	80.51	34.4	77.99	90.98	8.30	3.1	50	43.54	37.6	9.76	36.8	31.5	82.20	8.42	9.44	9.60	72.48	12.1	6.29	41.45