

HPW- 20 / 25 TOUCH II HEAVY PROFESSIONAL WASHER EXTRACTORS

Suitable for restaurants, gyms, campings, coin laundries, dry cleaners, nurseries, and any business that require the performance of industrial laundry equipment, but have limited space.



OUTSTANDING FEATURES

- Soft Mount.
- Programmable G FACTOR up to 450G.
- User-friendly and totally programmable TOUCH II microprocessor with a 4,3" touch screen.
- 8 dosing signals as standard.
- 2 water inlets
- USB Connection: PC software free of charge for programming, traceability, data analysis.
- Wet cleaning standard with the Touch II: water levels and speed are modifiable
- Remote communication ready.
- Multi-payable systems.
- Short washing cycles (Heating Power 6 kW).



EFFICIENCY

- Water saving: automatic adjustment of water and chemicals
- Optimal loading: manual indication of the loading weight
- High G-FACTOR up to 450: Reduced residual moisture and drying time.



VERSATILITY

- OPL < > COIN
- ELECTRIC < > HOT WATER
- PUMP < > DRAIN VALVE
- SINGLE < > STACKED
- Wet cleaning features ready.



ROBUSTNESS

- Outer casing in grey skinplate
- Robust aluminium door
- AISI-304 stainless steel inner/outer drum and ribs No inner drum seal (muffle), easy to repair/clean Industrial house bearing and bearings (Up to 15,000 working hours) and possibility to replace bearings Same motor and inverter as DOMUS industrial washers DHS Industrial and heavy duty door lock.



OTHERS

- Free standing washers (leveling feet included).
- LOADING AID feature: water and rotation control.
- Frequency inverter to control imbalances.
- CE, WRAS and ETL approved product.



2 DISPENSER OPTIONS

- Detergent dispenser with 4 compartments available:
- Top load** more robust recommended for vended laundry.
- Front Load**: For stacked configuration.



Top Dispenser



Front Dispenser

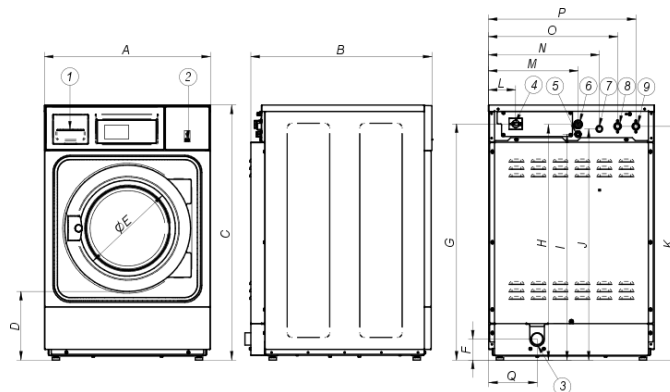


OPTIONS

- Double drain
- Drain-pump kit
- Silicon gasket
- Reversible door opening
- Relay card with 6 extra dosing signals: up to 14 signals
- DomusConnect communication Kit
- Normally closed drain valve
- Plinth for better ergonomics
- Plinth for mops, with filter (only valve models)
- Plinth for water recovery (tank included)
- Stainless steel AISI 304 outer casing
- Delayed door opening in case of power outage
- Maritime voltage for electric models: 440V III 50/60 Hz No neutral
- Coin/token kit

TECHNICAL DATA	UNIT.	HPW-20 V	HPW-20 P	HPW-25 V	HPW-25 P				
DRUM									
Load capacity	lb	20	20	25	25				
Volume	cu ft	3	3	4	4				
Diameter	in	20.95	20.95	20.95	20.95				
Depth	in	14.17	14.17	16.73	16.73				
GENERAL DETAILS									
Washing speed / Spinning speed	r.p.m.	50 / 1,250	50 / 1,250	50 / 1,250	50 / 1,250				
G Factor	-	Up to 450G	Up to 450G	Up to 450G	Up to 450G				
Maximum force transmitted	KN	1.47 ± 0.53	1.47 ± 0.53	1.57 ± 0.53	1.57 ± 0.53				
Frequency-dynamic force	Hz	18.33	18.33	18.33	18.33				
Coin laundry version	-	Yes	Yes	Yes	Yes				
Double drain	-	Yes	No	Yes	No				
Noise level	dB	<70	<70	<70	<70				
Weighing / Tilting system	-	No/No	No/No	No/No	No/No				
DOOR									
Height center door / Height base door	in	21.15/11	21.15/11	21.15/11	21.15/11				
Diameter	in	14.69	14.69	14.69	14.69				
POWER									
Motor	kW	0.75	0.75	0.75	0.75				
Electric heating power	kW	6	6	6	6				
Total electric power (electric model)	kW	6.25	6.25	6.25	6.25				
Total electric power (hot water model)	kW	0.75	0.75	0.75	0.75				
CONNECTIONS									
		Electric Heating	Hot Water	Electric Heating	Hot Water	Electric Heating	Hot Water	Electric Heating	Hot Water
110V / 50-60Hz / 1	FL Amp	-	10A	-	10A	-	10A	-	10A
230V / 50-60Hz / 3	FL Amp	20A	-	20A	-	20A	-	20A	-
230V / 50-60Hz / 1	FL Amp	32A	6A	32A	6A	32A	6A	32A	6A
Water inlet	inch	3/4"	3/4"	3/4"	3/4"	3/4"	3/4"	3/4"	3/4"
Drain	inch	2"		1"(Pump)		2"		1"(Pump)	

DIMENSIONS / PACKING DIMENSIONS					
Width / width	in	26.77/28	26.77/28	26.77/28	26.77/28
Depth / depth	in	27.4/33	27.4/33	30.39/33	30.39/33
Height / height	in	41/44.5	41/44.5	41/44.5	41/44.5
Net weight / Gross weight	lb	309/331	309/331	309/331	311/352



1. SOAP DISPENSER
2. USB PORT
3. DRAIN *
4. MAIN SWITCH
5. ELECTRIC CONNECTION TO LIQUID SOAP PUMPS
6. ELECTRICAL CONNECTION
7. LIQUID SOAP CONNECTION
8. COLD WATER INLET
9. HOT WATER INLET

	A	B	C	D	E	F	G	H	I	J	K	L	M	N	O	P	Q
HPW-20 V	26.77	27.48	40.94	10.94	14.69	3.39	37.95	37.87	36.30	37.17	37.56	4.33	14.41	17.83	20.79	23.74	7.83
HPW-20 P	26.77	27.48	40.94	10.94	14.69	-	37.95	37.87	36.30	37.17	37.56	4.33	14.41	17.83	20.79	23.74	-
HPW-25 V	26.77	30.39	40.94	10.94	14.69	3.39	37.95	37.87	36.30	37.17	37.56	4.33	14.41	17.83	20.79	23.74	7.83
HPW-25 P	26.77	30.39	40.94	10.94	14.69	-	37.95	37.87	36.30	37.17	37.56	4.33	14.41	17.83	20.79	23.74	-