



DUCT MOUNTED OPL UTILITY FREE LINT FILTERS

SINGLE DRYER SELF & MANUAL CLEANING OPL LINT FILTERS

- No energy or utilities required
- Cost effective - Duct in - Duct out
- Prevent damage to air handling equipment
- Meets State and National EPA discharge standards



- Eliminates the lint bypass of small dryers by up to 98%
- Zero operating cost
- Reduces lint build-up in the ducts downstream, increasing fire safety
- Optional fire suppression keeps laundry and equipment protected

IN DUCT AF-S SELF CLEANING FILTER

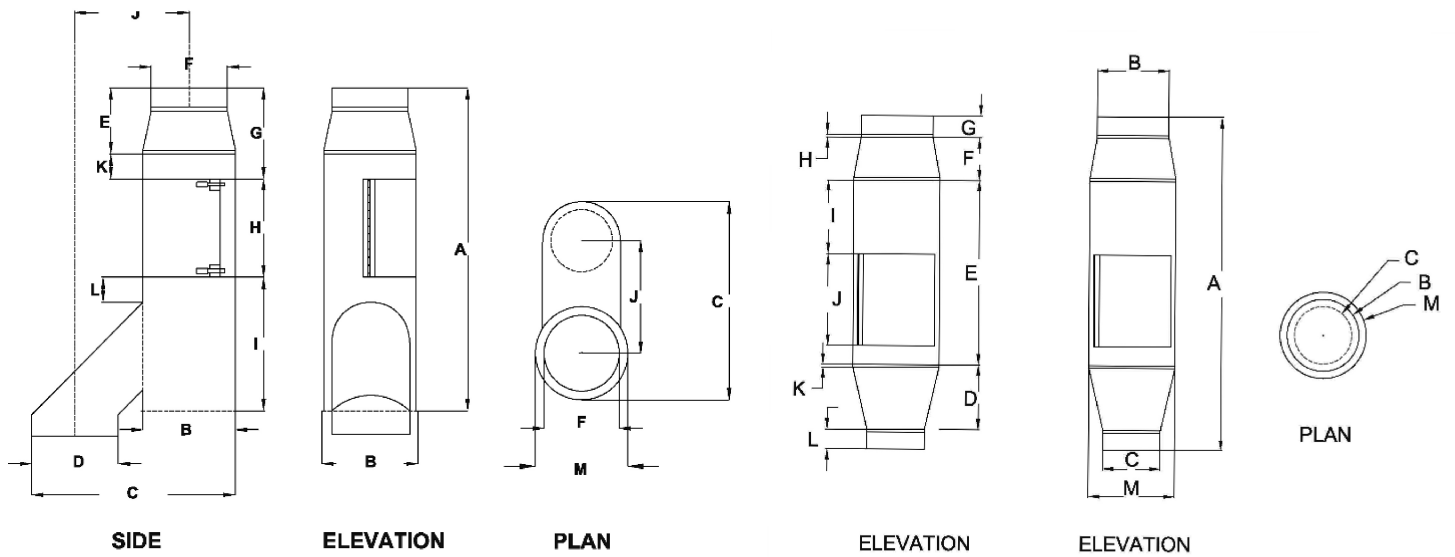
AVAILABLE IN SELF CLEANING AND OPTIONAL MANUAL CLEAN
AVAILABLE IN 4 SIZES (1000, 1700, 2300 & 2700 CFM)

THE NEED FOR A LINT FILTER AND HOW IT WORKS

This new state-of-the-art lint filter has evolved from over 30 years of research and development to be the optimum solution for catching up to 98% of all bypassed lint produced by OPL textile dryers.

Three problems that are minimized by reducing lint are:

- Dryer exhaust may be in close proximity to air handling equipment such as A/C units, cooling apparatus and fresh air intake systems.
- When there is a longer exhaust run from the dryer to the outside atmosphere there is a likelihood that the inside of the duct will accumulate with lint causing dryer inefficiency and creating a potential fire hazard.
- Often the Laundry Room is located near the front of the building. When this occurs, the dryer exhaust duct(s) are directed to the front of the building. This results in an unsightly mess that detracts from the neat appearance of the landscaping.



**AF-S DUCT MOUNTED SELF
CLEANING - LOWEST
MAINTENANCE
AF-S (MOUNTS VERTICALLY)**

**AF-M DUCT MOUNTED
MANUAL CLEANING
AF-S (MOUNTS HORIZONTALLY)**

FEATURES AND BENEFITS:

- NO UTILITIES REQUIRED
- SMALLEST FOOTPRINT
- DUCT MOUNTED
INTEGRATES INTO DRYER
DUCTING
- EASE OF INSTALLATION
- PROTECTS AIR HANDLING
EQUIPMENT
- IMPROVES PROPERTY
APPEARANCE

MODEL #	AF-1-S	AF-1-M	AF-1.7-S	AF-1.7-M	AF-2.3-S	AF-2.3-M	AF-2.7-S	AF-2.7-M
CLEANING	SELF	MANUAL	SELF	MANUAL	SELF	MANUAL	SELF	MANUAL
CFM	1,000	1,000	1,700	1,700	2,300	2,300	2,700	2,700
OPER. WT. LBS.	22	18	30	26	30	26	33	31
SHIP. WT. LBS.	28	22	34	30	37	32	40	38
A	41 3/4	37	49	40	48	44	48	48
B	12	10	12	12	16	14	16	16
C	23 1/4	8	28	10	34	14	34	16
D	8	N/A	10	6	14	6 3/8	14	N/A
E	8 1/2	25 3/4	9	26	8 2/3	26	7	N/A
F	10	6	12	6	14	6	16	N/A
G	11 3/4	3	11	3	11	3	7	N/A
H	12 3/4	3/8	14 3/4	3/8	16 3/4	3/8	16 3/4	N/A
I	17 1/4	10 3/8	23	10	24 1/4	6 5/8	24 1/4	N/A
J	13 1/4	12 3/4	16	14 3/4	18	16 3/4	19	16 3/4
K	3 1/4	3/8	2	2	2	3/8	N/A	N/A
L	3 1/4	2 7/8	4	3	2	3	2	N/A
M	12	12	14	14	16	16	16	16



AF-M MANUAL CLEANING

Sold and Serviced By:



Chef de file en équipements de buanderie

6565 Rue Abrams, Ville St. Laurent, QC H4S 1X9
Phone: 1-888-427-2626 • Fax: 1-514-331-0800
email: info@harcoinc.ca • www.harco.com



1470 Don St.

Naples, FL 34104

Tel. 239-643-1711

Fax 239-643-6081

Customer Service 800-944-1711

www.energenics.com