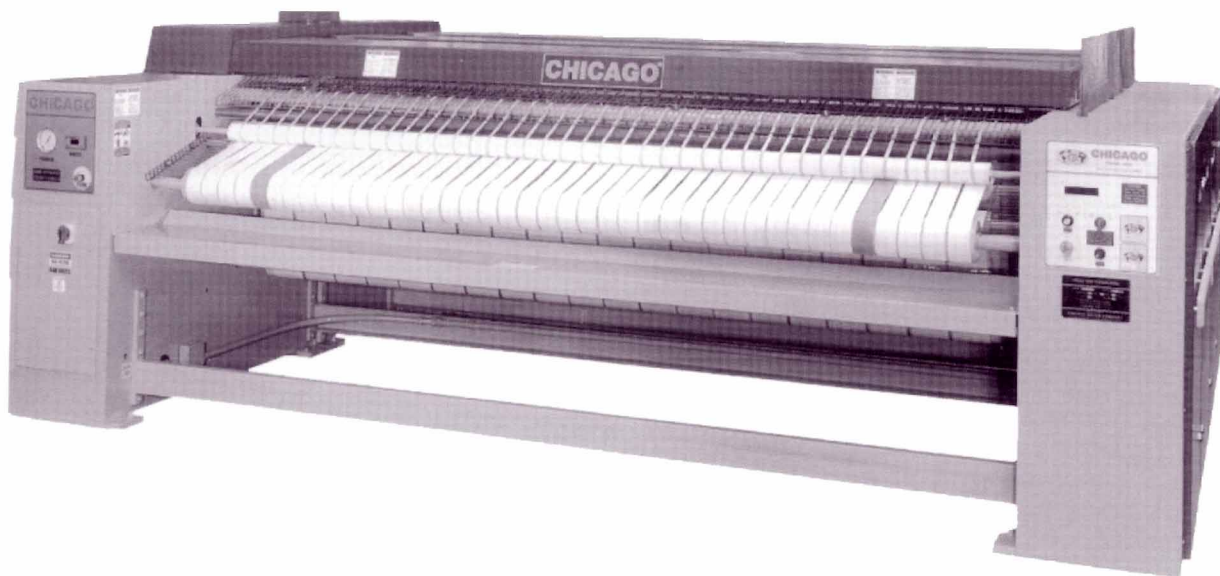


TITAN[®]



THE ORIGINAL MULTI-ROLL HEATED CYLINDER IRONER

- High Production Capacity
- Modular Design with Add-A-Roll Feature
- Simple to Install, Operate, and Maintain
- Reasonable Investment



STANDARD FEATURES

- Available with 2, 3, 4, or 5 ironing rolls

All rolls 120" (3050mm) usable ironing width

Sectional canopy with blower and motor to disburse excess heat and moisture

Touch control AC frequency inverter variable speed drive with expanded speed range to match moisture retention of a wide range of items

Soft-start and jog forward/reverse features reduce stress on components and simplify maintenance

Variable speed drive requires up to 70% less electricity than other high output ironers

Digital speed and temperature displays

Steam pressure gauge

Single point electrical connection with magnetic starter

Low voltage (24 volt) controls

Auto-tension Nomex® high temperature ironing ribbons hold linen in firm contact with heated surface, while providing long service life and easy replacement

Self-aligning ball bearing construction

Safety finger bar protects across full length of ironer - stops all rolls when pushed

Protection by safety covers, guards, stop buttons, and bilingual pictorial safety labels

Compatible with Chicago Skyline and other leading automatic folders

U. S. designed and built for complete quality control and prompt parts availability

ADVANTAGES OF STEAM HEATED IRONING

- A traditional method of heating with exceptionally low maintenance requirements

Simple design provides uniform temperature across entire ironing surface

Ideal for installations with existing boiler

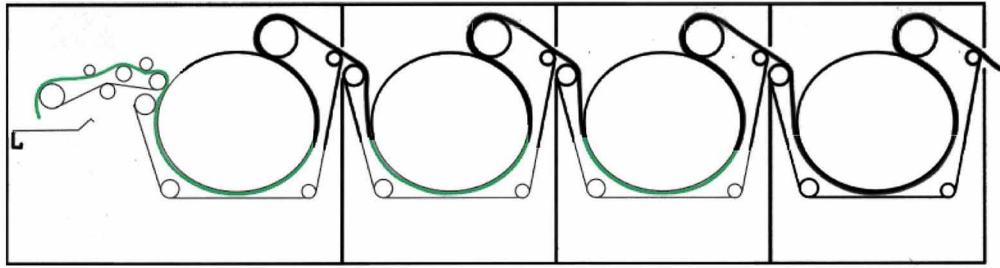
Recommended for operation at steam pressures up to 150 PSI. (Ironer productivity depends on quality and pressure of incoming steam from boiler)

Dependable rotary union automatically admits steam and discharges condensate

Furnished with flexible steam inlet and condensate return hoses, internal piping, separator, and steam traps for efficient installation and operation



TITAN - THE SENSIBLE HIGH PRODUCTION MODULAR IRONING SYSTEM



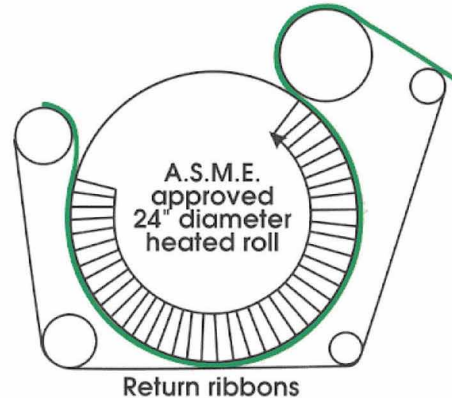
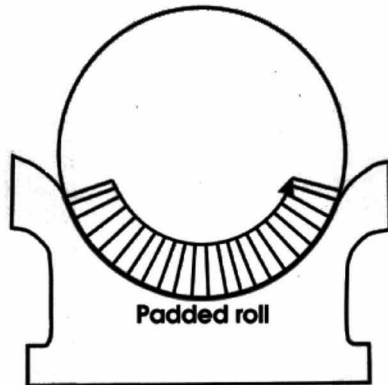
Path of linen through Titan IV

The Titan is a modular high production ironing system made up of a series (from two to five) of 24" (600mm) diameter steam heated ironing rolls. Increasing the number of rolls in the system provides added ironing contact so that flatwork can be dried and ironed at higher speeds.

After operators place linen on the front conveyor, it is carried from one section to the next by high temperature ribbons which smooth and stretch linen. The sliding motion that occurs when flatwork comes in contact with the highly polished revolving heated steel ironing cylinders produces a high gloss flatwork finish on linen. Each section runs at a slightly higher speed than the preceding one in order to assure proper linen stretch and effortless operation from start to "finish."

GREATER IRONING SURFACE PER ROLL

Chest Style Flatwork Ironer
The typical chest ironer utilizes large padded rolls and steam heated chests to obtain contact with the ironing surface.

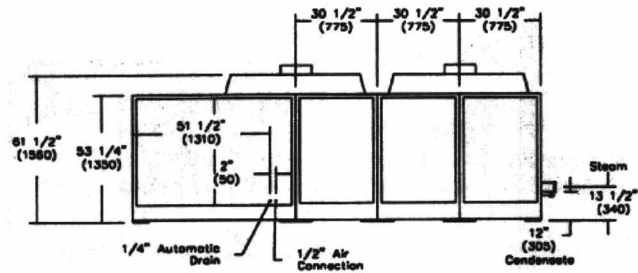
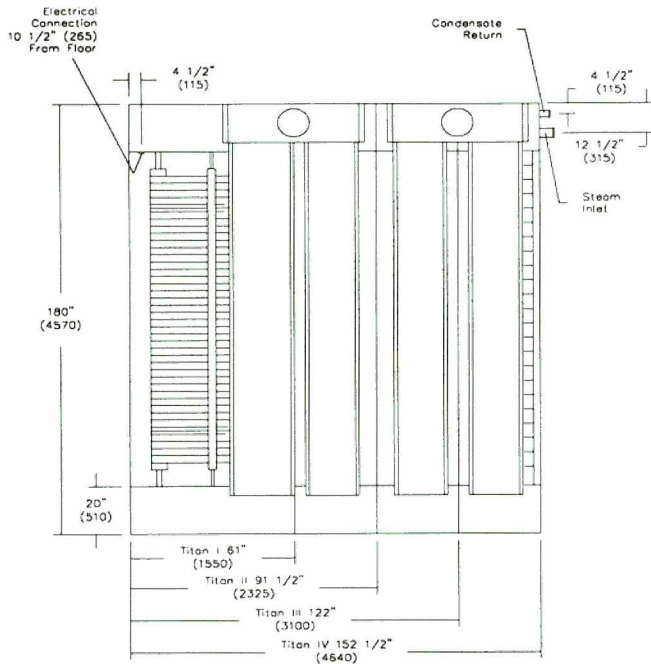


Chicago Titan® Ironer
Each Titan® section uses a revolving heated cylinder and ironing ribbons to maximize linen contact with the ironing surface.

THE TITAN CONCEPT

The Titan design offers several advantages over other ironers. The Titan's ribbons and cylinders are constantly moving in the same direction at specific speed ratios. This unidirectional motion eliminates unnecessary friction, so less energy is needed to drive the ironing rolls. Maintenance is lower because no heated chests or padding are required. The Titan line also includes the "Add-A-Roll" feature which permits additional sections to be added in the future to accommodate increased production needs, so the Titan can "grow" along with your operation. Chicago® is an ASME authorized manufacturing facility so Titan steam rolls are ASME inspected and certified with the ASME stamp to meet local code and insurance regulations.

DIMENSIONS



1. Specifications subject to change without notice. Consult factory for certified construction floor plan.
2. Millimeter dimensions in parenthesis.
3. Average BTU steam consumption depends on ironing speed and volume/moisture retention of linen being processed.
4. Exhaust blower is always remotely mounted to reduce noise levels. Motor and blower are protected by a weatherproof cover and may be mounted outside the building.

			Titan II		Titan III		Titan IV		Titan V	
	US	metric	US	metric	US	metric	US	metric	US	metric
Speed Range	ft/min	m/min	20-125	6-38	20-135	6-41	25-155	8-47	30-170	9-52
Total Motor HP with Blower	HP	kW	6	4.5	6.5	4.85	11.5	8.56	12	8.95
Motor HP Drive only	HP	kW	5	3.73	5	3.73	10	7.45	10	7.45
Maximum Steam input	BHP	kWh	20	196	28	275	37	363	45	442
Steam Supply Connection	inch	DN	3	80	3	80	3	80	3	80
Condensate Return Connection	inch	DN	2	50	2	50	2	50	2	50
Compressed Air Volume	CFM	l/min	0,25	7	0,25	7	0,25	7	0,25	7
Blower Inlet Diameter	inch	mm	13.25	336.55	13.25	336.55	19.625	498.475	19.625	498.475
Blower outlet size (a*b)	inch	mm	13 1/4x9 5/8	336x245	13 1/4x9 5/8	336x245	19 5/8x14 1/4	498x362	19 5/8x14 1/4	498x362
Exhaust Volume	CFM	cm/h	2435	68.7	2895	81.7	4910	138.5	5480	154.6
Domestic Weight with Canopy	lb.	Kg	11410	5175	15810	7171	20350	9230	24750	11226
Export Weight with Canopy	lb.	Kg	11930	5411	16530	7498	21400	9707	26000	11793

Over 100 Years of Quality

Since 1886, Chicago Dryer Company has been a leader in advanced machinery design and quality equipment. Today Chicago offers America's most complete line of flatwork feeding, ironing, and folding equipment. Each machine is individually assembled by teams using their extensive experience and the resources of one of the most well-equipped production facilities in the industry. Before the Chicago name is affixed, final inspection includes thorough testing under load conditions, as well as visual inspection to ensure quality of fit and finish.

Chicago's world-wide distribution network assures that your equipment will be protected by the prompt availability of professional assistance and parts now and in the years to come - a comforting thought when you consider the long service life you expect from your investment in new machinery. For a no-obligation analysis of your finishing needs, contact your local Chicago distributor or our factory sales assistance office.



Chicago Dryer Company
 2200 N. Pulaski Road Chicago, Illinois 60639
 Telephone (773)235-4430 Telefax (773)235-4439

CHICAGO is a registered trademark of Chicago Dryer Company
 Bulletin #7440

Distributed by:



Chef de file en équipements de buanderie

6565 Rue Abrams, Ville St. Laurent, QC H4S 1X9
 Phone: 1-888-427-2626 • Fax: 1-514-331-0800
 email: info@harcoinc.ca • www.harcco.com