



AALF

Ambient Air Lint Filter

LINT SCRUBBER 8000 & LOW PROFILE LINT SCRUBBER 6000



LS-8000



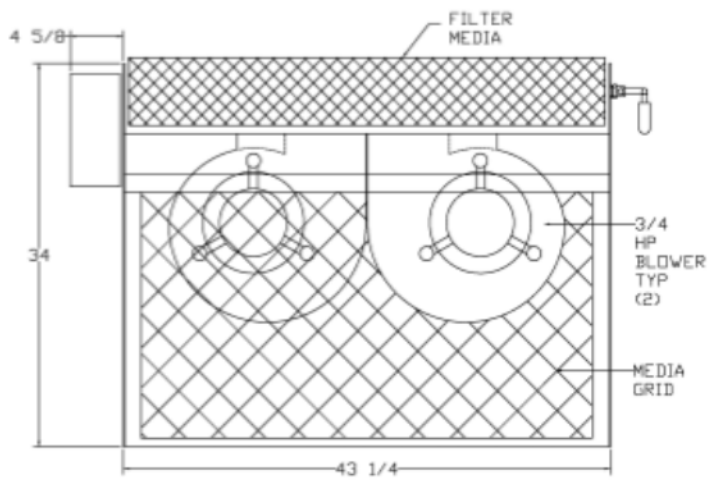
**LS - 6000
(LOW PROFILE)**

- Assist with compliance to OSHA directive CPL 03-00-008 Against combustable dust explosions and fires act of 2008. (American Laundry News Nov./Dec. 2010)
- Energenics Lint Scrubbers are a true lint scrubbing vacuum pulling the lint, dust and contaminants from the air
- Energenics utilizes our 15 years of pressure transducer control technology to advance the filter media for optimum lint extraction
- Saves labor used to clean feeding, finishing and folding equipment
- LS-8000 CFM lint Scrubber has the maximum coverage, the employee work area is cleaner and safer
- Superior HP, maximizes the lint suction in the production area
- Largest lint collection area coverage, over 25 sq. ft.
- Arrives completely assembled, ready to hang, plug in and start collecting lint
- Upward exhaust pulls lint, dust and hot air away from associates and expensive equipment and controls

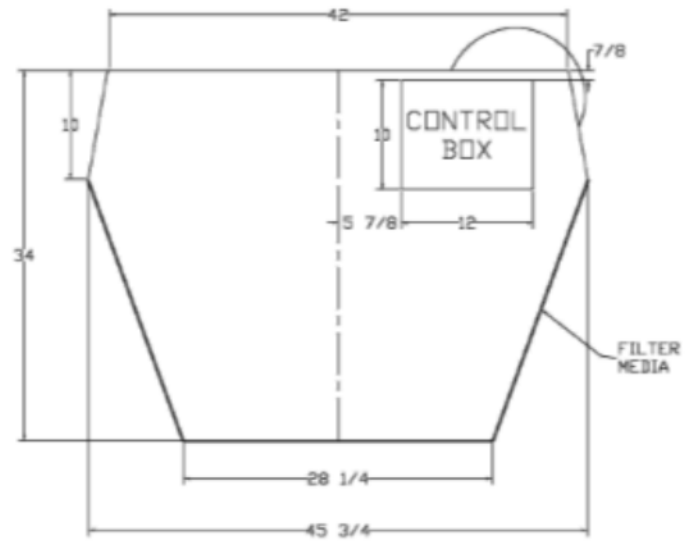
Easily positions over the machinery and processes that create secondary lint and dust as they process textiles

Reduces daily maintenance, cleaning and compressed air blow off of lint from expensive feeding, ironing and folding equipment.

Utilizes Energenics 35 years of lint collection expertise and technology to advance the clean filter media, while removing the clogged media, to always maintain consistent vacuum suction over the cleaning area

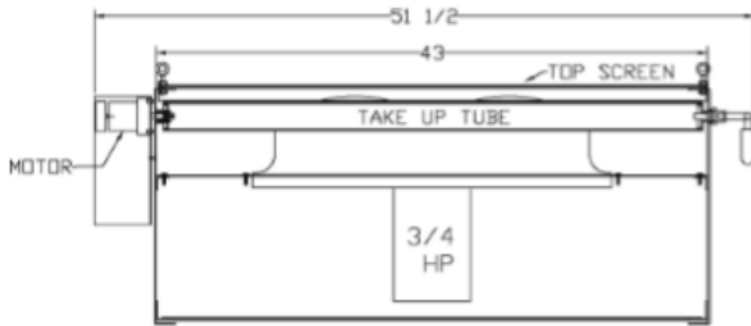


SIDE VIEW

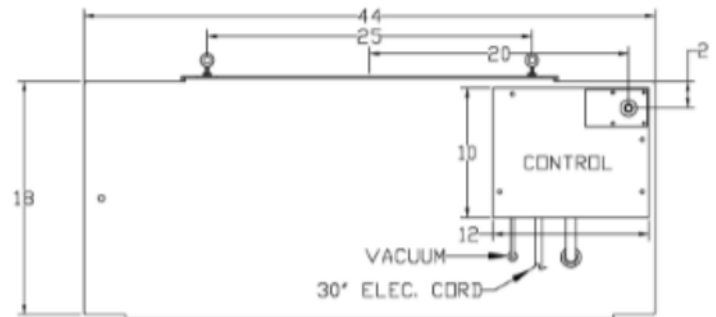


END VIEW

LINT SCRUBBER - 8000 Weight 320 lbs Pallet 48" w x 48" l x 36" h



SIDE VIEW



END VIEW

LINT SCRUBBER - 6000 Weight 260 lbs Pallet 48" w x 48" l x 24" h

Voltage 208-230/60/1 VAC 11.5 AMPS (All Models)

- Solid State UL control responds to the pressure transducer signal and advances the media until the pressure condition is satisfied.
- Optimum screen media, flatbonded polyester, designed to collect all lint and dust particles.
- Maximum performance from balanced power, max media surface and max coverage area benefits the laundry operations and employees.



LS-8000 with UV Anti-Bacterial Lamp



1470 Don St.
Naples, FL 34104
Tel. 239-643-1711
Faz 239-643-6081
Customer Service 800-944-1711
www.energenics.com

Sold and Serviced By:



Chef de file en équipements de buanderie

6565 Rue Abrams, Ville St. Laurent, QC H4S 1X9
Phone: 1-888-427-2626 • Fax: 1-514-331-0800
email: info@harcoinc.ca • www.harcoinc.com