

# MDG52PD

MAYTAG® COMMERCIAL  
ENERGY ADVANTAGE™  
MULTI-LOAD DRYER



LAUNDRY SOLUTIONS  
YOU CAN **DEPEND ON.**

## LEGENDARY MAYTAG DEPENDABILITY

Maximizing your equipment investment for over a half century.

## ENERGY-SAVING SOLUTIONS

Maytag built the first appliance ever to receive the ENERGY STAR® label. Today, we offer energy-saving laundry solutions for all commercial laundry needs—from highly efficient ENERGY STAR®-qualified washers to the most energy-efficient dryers ever from Maytag—to help you save money and build profits.

## ADVANCED CONTROLS

Includes Maytag® Accu Trac® audit system that uses a PDA to communicate with the microprocessor controls—so you can set up, monitor and audit your equipment in seconds.

## CAPACITY:

- 50-Lb. Capacity

## FOR YOUR CUSTOMERS:

- Owner-Programmable Single-Phase Reversing
- Fast-Drying 100% Axial Airflow System Enhances Airflow
- Extra-Large Door Opening with Dual-Pane Door Glass
- Time Remaining Digital Display
- Self-Diagnostic Microprocessor Controls

## FOR YOUR OPERATION:

- Low BTU and Fast Dry
- Enhanced Insulation For Greater Efficiency
- Front Access For Easy Service
- Accu Trac® Audit System With Two-Way Data Communication
- Large-Capacity Lint Drawer

## BUILT-TO-LAST™ FEATURES:

- Maytag® Exclusive Dry Fire Suppression System
- 5-Year Limited Warranty—All Parts Covered
- Heavy-Duty Motors
- Permanently Lubricated Bearings
- Four-Point Roller Support System



Chef de file en équipements de buanderie

6565 Rue Abrams, Ville St. Laurent, QC H4S 1X9  
Phone: 1-888-427-2626 • Fax: 1-514-331-0800  
email: info@harcoinc.ca • www.harcoco.com

visit [maytagcommerciallaundry.com](http://maytagcommerciallaundry.com)  
or call 800-662-3587



## OUR COMMITMENT TO DEPENDABLE QUALITY

At Maytag, we believe durable goods should remain just that. That's why every Maytag® product is constructed of the highest-quality materials and with the utmost in precision craftsmanship. It's also why we stand behind our equipment with solid service and support from our professional Maytag laundry suppliers. Simply put, when you choose Maytag® products, you ensure your peace of mind.



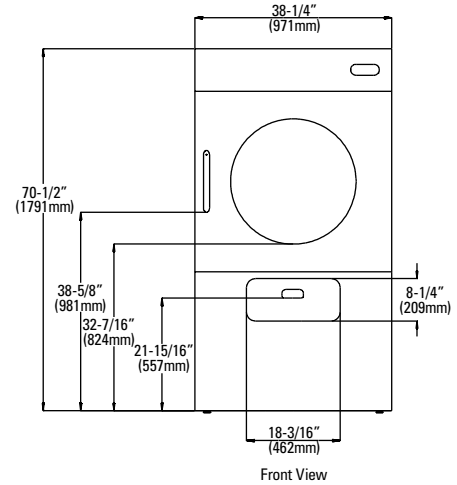
## MDG52PD

MAYTAG® COMMERCIAL ENERGY ADVANTAGE™ MULTI-LOAD DRYER

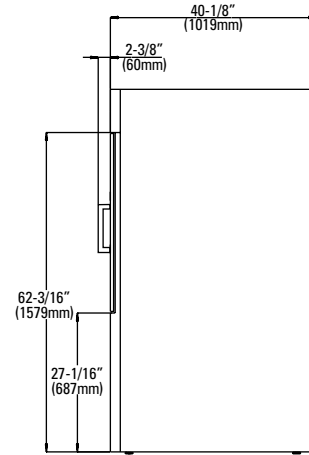
## Maytag® Commercial Energy Advantage™ Multi-Load Dryer

### MICROPROCESSOR COIN-DROP

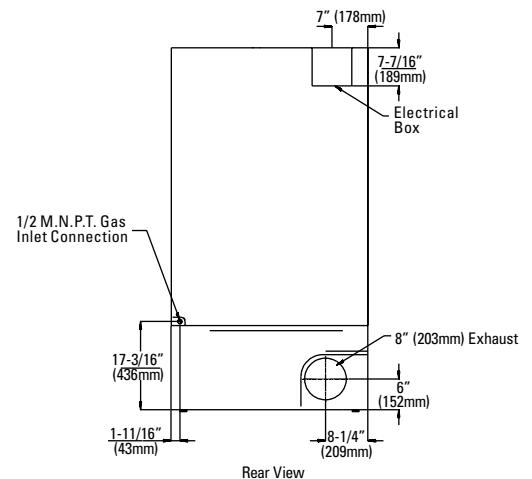
DRYER SPECIFICATIONS	
<b>MODEL</b>	<b>MDG52PD</b>
<b>CAPACITY</b>	
Lbs. (kg)	50 (22.68)
Cu. ft. (cu. m)	16.02 (.453)
<b>TUMBLER</b>	
Diameter — in. (mm)	37 (940)
Depth — in. (mm)	25.75 (654)
<b>MOTOR</b>	
Single-phase, thermoprotected against overload, auto-reset	•
HP (kw) Tumbler/Blower	.75 (.56) / .50 (.37)
Tumble Speed — rpm	40 + 1.5
<b>AIRFLOW</b>	
Cfm (cmm)	600 (17.00)
<b>GAS RATING</b>	
BTU/hr. (kcal/hr.)	110,000 (27,720)
<b>GAS INLET</b>	
M.N.P.T. in. (mm)	1 inlet, 0.50 (12.7)
<b>VOLTAGE/BREAKER/FUSE REQUIREMENTS</b>	
Volts (Hz)/Phase	120V (60)
Amps	25
Export Models — options available	220 – 415V/1PH or 3PH
<b>COLOR</b>	
White	•
Stainless Steel	•
<b>APPROXIMATE WEIGHT</b>	
Crated — lbs. (kg)	640 (290)
Uncrated — lbs. (kg)	610 (277)
<b>DIMENSIONS</b>	
Height — in. (mm)	70.5 (1791)
Width — in. (mm)	38.25 (972)
Depth — in. (mm)	40.125 (1019)
Exhaust duct diameter — in. (mm)	8 (203)
Door opening diameter — in. (mm)	27.375 (695)
See specific instructions for proper installation. Because of continuous product improvement, Maytag reserves the right to change specifications without notice.	



Front View



Side View



Rear View



## 5-YEAR LIMITED WARRANTY ALL PARTS COVERED

For a period from the date of original purchase through the time listed above, the designated parts that fail in normal commercial use will be repaired or replaced free of charge for the part itself, with the owner paying all other costs, including labor, transportation and customs duty. Chemical damage is excluded from all warranty coverage. See complete warranty for details.