

MDG78PN

MAYTAG® COMMERCIAL ENERGY ADVANTAGE™ ON-PREMISES DRYING TUMBLER



LEGENDARY MAYTAG DEPENDABILITY

Maximizing your equipment investment for over a half-century.

MICROPROCESSOR CONTROLS

Advanced computer controls let you program drying cycles with desired drying times, temperature and cool-down. Then select the cycle with the simple touch of a button.

RESIDUAL MOISTURE CONTROL

Residual Moisture Control (RMC) sensing system measures the presence of moisture in the load. The dryer senses when the load is dry, shutting the unit down to help prevent over-drying.

A COMPLETE LINE OF ENERGY-EFFICIENT SOLUTIONS

Maytag brand offers a complete line of high-efficiency commercial laundry appliances—from energy-efficient dryers to highly efficient ENERGY STAR®-qualified washers—to help you save money and build profits.

CAPACITY:

- 75-Lb. Capacity

FOR YOUR OPERATION:

- Fast-Drying 100% Axial Airflow System
- Extra-Large Door Opening For Ease Of Loading And Unloading
- Dual-Pane Glass Door To Keep Room Cool
- Multilingual Digital Display With Time Remaining
- Extra-Large Lint Drawer
- Reverse Tumbler Feature Reduces Twisting
- Front Serviceable
- Reversible Door

BUILT-TO-LAST™ FEATURES:

- 120-Volt Single-Phase With Reversing Cylinder Standard
- Dual Fire Suppression Systems
 - Waterless System
 - Wet System
- Heavy-Duty Motor
- Four-Point Roller Support System
- 3-Year Limited Warranty—All Parts Covered



Visit maytagcommerciallaundry.com or call 800-662-3587

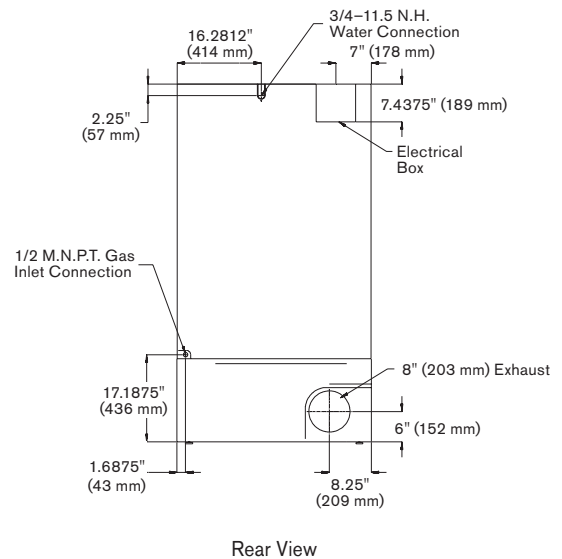
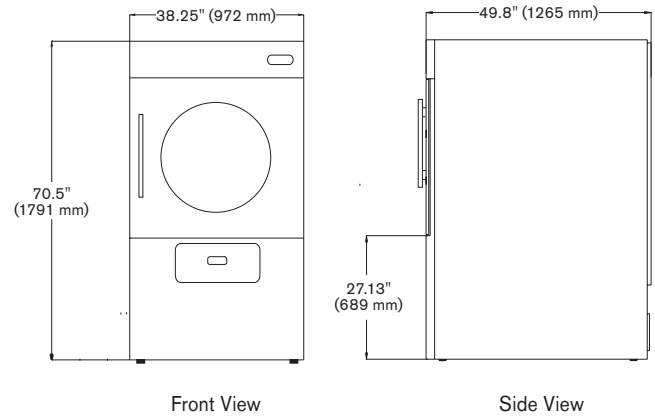


MDG78PN
MAYTAG® COMMERCIAL
ENERGY ADVANTAGE™
ON-PREMISES
DRYING TUMBLER

MAYTAG® COMMERCIAL ENERGY ADVANTAGE™
ON-PREMISES DRYING TUMBLER
MICROPROCESSOR CONTROL

DRYER SPECIFICATIONS	
MODEL	MDG78PN
CAPACITY	
Lbs. (kg)	75 (34)
Cu. ft. (liters)	22.1 (625)
TUMBLER	
Diameter—in. (mm)	37 (940)
Depth—in. (mm)	35.5 (902)
MOTOR	
HP (kw) tumbler/blower	.75 (.56)/.50 (.37)
AIRFLOW	
Cfm (cmm)	600 (17.00)
HEAT INPUT	
BTU/hr. (kcal/hr.)	130,000 (32,760)
GAS INLET	
M.N.P.T. in. (mm)	1 inlet, 0.50 (12.7)
ELECTRICAL REQUIREMENTS	
Volts (Hz)	120 (60)
Approximate amp draw	19.2
Breaker fuse size	25
Export models—options available	220–480V/50–60Hz/1PH or 3PH
COLOR	
White	Standard
Stainless Steel	Optional
APPROXIMATE WEIGHT	
Crated—lbs. (kg)	775 (352)
Uncrated—lbs. (kg)	745 (338)
DIMENSIONS	
Height—in. (mm)	70.5 (1,791)
Width—in. (mm)	38.25 (972)
Depth not including door handle—in. (mm)	49.8 (1,265)
Exhaust diameter—in. (mm)	8 (203)*
Door opening diameter—in. (mm)	27.38 (695)

*Requires 8" (203 mm) material if venting horizontally; 10" (254 mm) if venting vertically.
 See specific instructions for proper installation.
 Because of continuous product improvement, Maytag reserves the right to change specifications without notice.



MAYTAG® LIMITED WARRANTY
3 YEARS—ALL PARTS

For a period from the date of original purchase through the time listed above, the designated parts that fail in normal commercial use will be repaired or replaced free of charge for the part itself, with the owner paying all other costs, including labor, transportation and customs duty. Chemical damage is excluded from all warranty coverage. See complete warranty for details.



Chef de file en équipements de buanderie

6565 Rue Abrams, Ville St. Laurent, QC H4S 1X9
 Phone: 1-888-427-2626 • Fax: 1-514-331-0800
 email: info@harcoinc.ca • www.harcoinc.com

OUR COMMITMENT TO DEPENDABLE QUALITY

At Maytag brand, we believe durable goods should remain just that. That's why every Maytag® product is constructed of the highest-quality materials and with the utmost in precision craftsmanship. It's also why we stand behind our equipment with solid service and support from our professional Maytag laundry suppliers. Simply put, when you choose Maytag® products, you ensure your peace of mind.