

SPECIFICATIONS

MDE/MDG20MN

MAYTAG® COMMERCIAL SUPER-CAPACITY DRYER

MECHANICAL CONTROLS, NON-COIN



EXTRA-LARGE CAPACITY

- 7.4 cu. ft. capacity allows for large loads to be dried effectively and efficiently.
- Optimal drying experience maximizes facility productivity.



EASY-TO-USE CONTROLS

- Mechanical controls provide a simple user interface with robust, easy-to-use knobs.



FOUR-ROLLER SUSPENSION WITH PERMANENTLY LUBRICATED BEARINGS

- Designed to provide consistent and dependable drying, cycle after cycle.



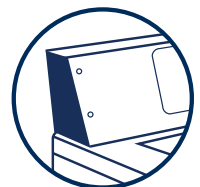
PORCELAIN-ENAMEL TOP

- Possesses the strength and craftsmanship required for the traffic of a commercial laundry environment.
- Boosts durability and aesthetics.



FULL-WRAP CONSOLE

- Sleek, one-piece full-metal console is robust and easy to clean.
- Protects internal components from unexpected liquids or vapors.



AMERICA
AN AMERICAN COMPANY FOR OVER 100 YEARS

SPECIFICATIONS

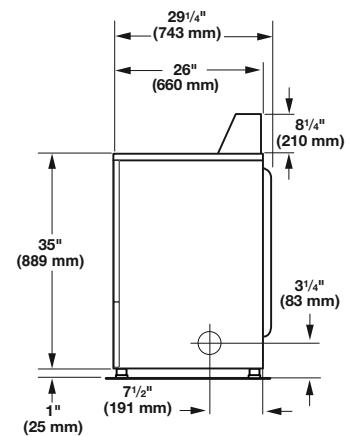


MDE/MDG20MN

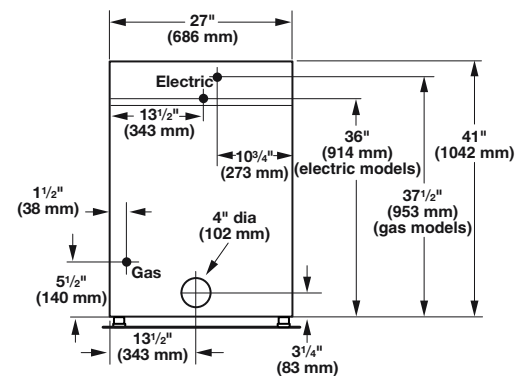
MAYTAG® COMMERCIAL SUPER-CAPACITY DRYER

MECHANICAL CONTROLS, NON-COIN

SPECIFICATIONS	MDE20MNBW & MDG20MNBW - DOMESTIC	MDE20MNBW - CANADA
Motor Size — HP (kw)	1/3 (.25)	1/3 (.25)
Airflow — CFM MDE/MDG Model	178	183
Electric Heating Element (Watts) Export	5,600	5,250
Gas Rating — BTU/hr. (kcal/hr.)	22,000 (5,544)	22,000 (5,544)
Gas Inlet Size	3/8 N.P.T.	N/A
CAPACITY		
Cylinder Volume — cu. ft. (liters)	7.4 (210)	7.4 (210)
Cylinder Diameter — in. (mm)	26.26 (667)	26.26 (667)
Cylinder Depth — in. (mm)	23.2 (590)	23.2 (590)
DIMENSIONS		
Width — in. (mm)	27 (686)	27 (686)
Depth — in. (mm)	29.25 (743)	29.25 (743)
Height — in. (mm)	41 (1,042)	41 (1,042)
Door Opening — in. (mm)	20.25 (514)	20.25 (514)
Exhaust Duct Diameter — in. (mm)	4 (101.6)	4 (101.6)
CRATED DIMENSIONS		
Crated Width — in. (mm)	28.8 (731)	28.8 (731)
Crated Depth — in. (mm)	30.8 (782)	30.8 (782)
Crated Height — in. (mm)	44.65 (1,134)	44.65 (1,134)
APPROXIMATE WEIGHT		
Uncrated — lbs. (kg) MDE/MDG model	115 (52.2)	120 (54.4)
Crated — lbs. (kg) MDE/MDG model	125 (56.7)	130 (59)
ELECTRICAL REQUIREMENTS		
Electrical Rating — Voltage/HZ	240V/60Hz	120V/60Hz
Breaker/Fuse — amps MDE/MDG model	30	15
WARRANTY		
5-Year Limited	Yes	Yes



Side View



Back View

Dimensions are for planning purposes only. See specific instructions for proper installation. Because of continuous product improvement, Maytag reserves the right to change specifications without notice.



*Visit maytagcommerciallaundry.com for complete warranty details.



Chef de file en équipements de buanderie

6565 Rue Abrams, Ville St. Laurent, QC H4S 1X9
 Phone: 1-888-427-2626 • Fax: 1-514-331-0800
 email: info@harcoinc.ca • www.harco.com