



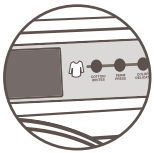
Commercial Super-Capacity Dryer

Non-Coin

With 100 years of experience in the industry and features that streamline service, Whirlpool® Commercial Laundry machines provide performance with the quality you expect.

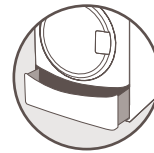
Commercial-Grade Features:

Choose a commercial-built product that withstands heavy traffic, regular use, and performs continuously.



Microprocessor Controls

Owners can customize vend prices, while end users can easily select the cycle that best fits their needs.



Front-Access Panel

Provides quick entry to the motor, transmission, and wash tub for service.



Porcelain-Enamel Top

The premium porcelain-enamel top and lid possess a quality finish that lends to the machine's longevity.



Extra-Large Capacity

The extra-large, 6.7-cu.-ft. capacity means loads from small to large can be dried efficiently and effectively.

CED9160GW — 27" Commercial Electric Dryer CGD9160GW — 27" Commercial Gas Dryer

- 6.7-cu.-ft. Drum Capacity
- Large Lint Screen (84 sq. in.)
- 1/3-HP Motor
- Electric Heating Element at 5600 Watts
- Reversible Door with Heavy-Duty Die-Cast Hinges

- Front Service Accessibility
- 90-Day Labor/2-Year Limited Parts Only Warranty*

*See whirlpoolcommerciallaundry.com for complete warranty details.

Commercial Super-Capacity Dryer

Non-Coin



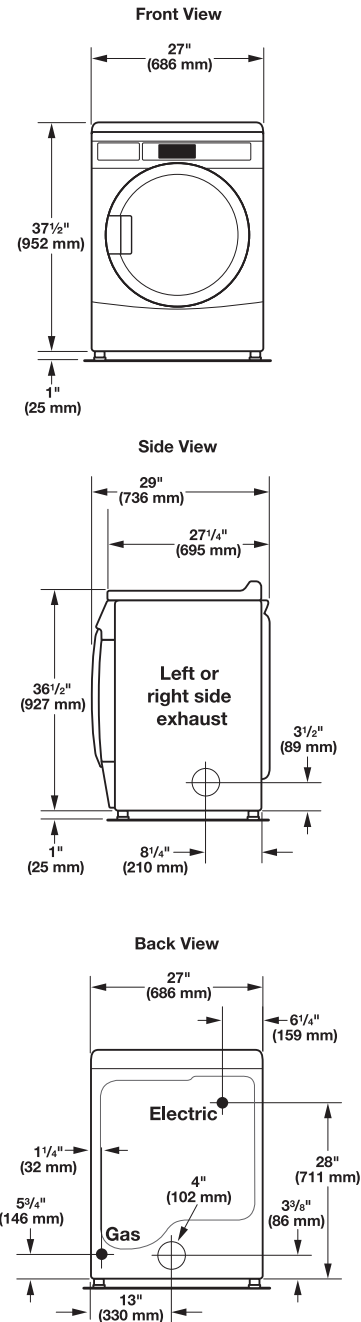
Dryer Specifications

Model	CED9160GW (Electric) CGD9160GW (Gas)
Motor Size—HP (kw)	1/3 (.25)
Electric Heating Element (Watts)	5,600
Gas Rating—BTU/hr. (kcal/hr.)	22,000
Gas Inlet Size	3/8 N.P.T.
Capacity	
Cylinder volume—cu. ft. (liters)	6.7 (190)
Cylinder diameter—in. (mm)	26.25 (667)
Cylinder depth—in. (mm)	20.5 (521)
Dimensions	
Width—in. (mm)	27 (686)
Depth—in. (mm)	29 (736)
Height—in. (mm)	37.5 (952)
Door opening—in. (mm)	18.25 (464)
Exhaust duct diameter—in. (mm)	4 (100)*
Crated Dimensions	
Width—in. (mm)	29.5 (749)
Depth—in. (mm)	31 (787)
Height—in. (mm)	44 (1,118)
Approximate Weight	
Uncrated—lbs. (kg) CED/CGD model	147 (67)/150 (68)
Crated—lbs. (kg) CED/CGD model	160 (73)/163 (74)
Electrical Requirements	
CED model voltage/HZ—CGD model voltage/HZ	240V/60HZ—120V/60HZ
Breaker/Fuse—amps CED/CGD model	30/15
Warranty	2-Year Limited/90-Day Labor

*Use 4" (100 mm) diameter rigid aluminum or galvanized steel duct. Never use plastic, non-metal or combustible duct.

Dimensions are for planning purposes only. See specific instructions for proper installation. Because of continuous product improvement, Whirlpool reserves the right to change specifications without notice.

ADA-compliant.



Chef de file en équipements de buanderie

6565 Rue Abrams, Ville St. Laurent, QC H4S 1X9
 Phone: 1-888-427-2626 • Fax: 1-514-331-0800
 email: info@harcoinc.ca • www.harco.com



2-YEAR LIMITED PARTS ONLY WARRANTY/90-DAY LABOR

For 90 days from the date of original purchase, when this commercial appliance is installed, maintained and operated according to instructions attached to or furnished with the product, Whirlpool Corporation (hereafter "Whirlpool") will pay for factory-specified replacement parts and repair labor to correct defects in materials or workmanship that existed when this commercial appliance was purchased. For the first two years from the date of purchase, when this major appliance is installed, maintained and operated according to the instructions attached to or furnished with the product, Whirlpool will pay for factory-specified replacement parts to correct defects in materials or workmanship that existed when this commercial appliance was purchased.