

TOUCH II

7" touchscreen, user friendly and totally programmable.
 Videos on display, ads, instructions.
 37 Languages.
 Free software for programming, telemetry, data analysis.
 USB Connection

G FORCE

G-FACTOR 200: 25 - 100 Lbs.
 G-FACTOR 150: 135- 180 Lbs.

EFFICIENCY

Intelligent consumption: automatic adjustment of water and soap consumptions (standard).
 Optimal loading: manual indication of weight.
 Low water consumption.

VERSATILITY

Custom - Make to order.
 OPL or Self-service.
 Electric or Hot water.
 Wet cleaning features.

CONNECTIVITY

IoT - **DOMUSCONNECT** standard.
 Remote technical service.
 Management of laundries: self-service & OPL.

ERGONOMICS

Reversible doors.
 Large Loading doors:
 • Ø 373 (25, 30 Lbs.)
 • Ø 460 (40, 50, 65 Lbs.)
 • Ø 560 (80 ,100, 135 lbs.)

MAINTENANCE

Hinged control panel: easy and ergonomic access.
 Technical menu: statistics for technicians.
 Equivalent parts for all models: electronic parts, contactors.

OTHERS

Hard mounted washers.
 Anchoring to floor with anchoring base.
 Panels in skin plate.
 3 water inlets.
 CB and WRAS approved product.

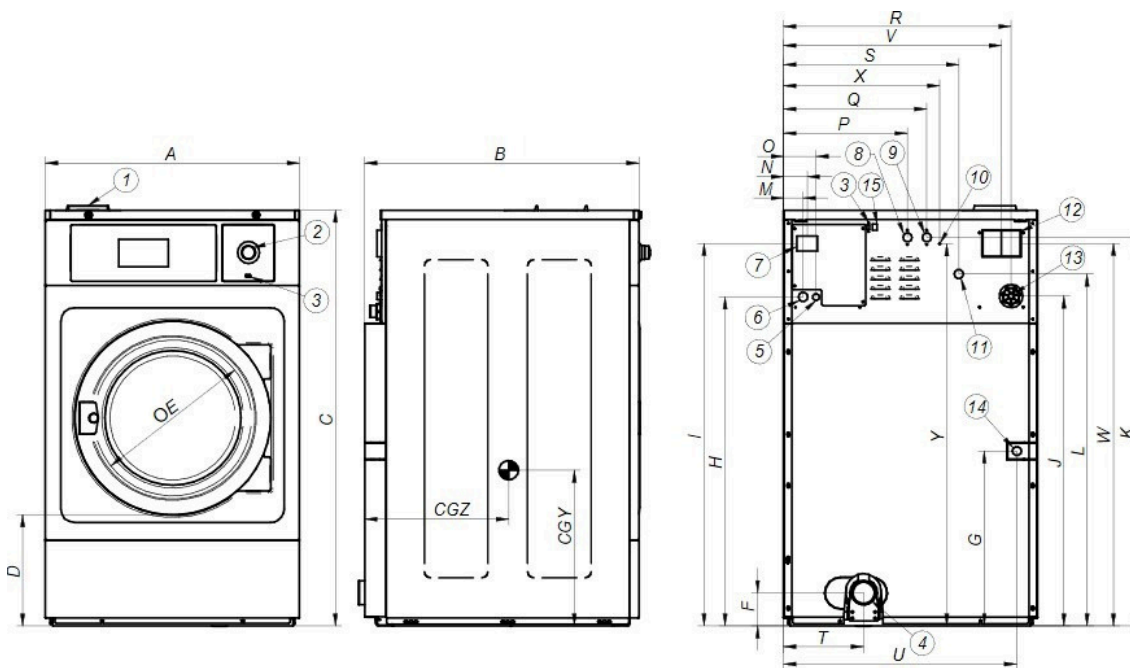


OPTIONS

- License IoT - Domus Connect
- Ready for ECOTANK conn. 3/4" for washers DLU/DHU 25-65
- EXTRA DOSING PUMP DB-1
- SLUICE - Drum with 0.31 In holes for DLU-25
- Anchoring base for DLU-30
- Normally closed valve DLU-30
- 6 extra dosing signals card for DLU-25 to DLU-100C
- Silicon gasket DLU-25-30
- Reverse door opening
- Stainless steel AISI 304 outer casing for DLU-30
- Stainless steel AISI 304 top and front panel for DLU-30
- Auto unlock kit for the door (in case of power failure) DLU-DHU

DRUM		UNIT.	DLU- 30 TOUCH II	
Capacity 1/9		Lb.	30.9	
Capacity 1/10		Lb.	28.7	
Volume		Cu.Ft	4.6	
Diameter		in	24.4	
Depth		In	16.9	
GENERAL DETAILS				
Washing speed / Spinning speed		r.p.m.	53/759	
G Factor		-	200	
Maximum force transmitted		KN	2.31 ±4	
Frequency-dynamic force		Hz	8,93	
Noise level		dB	<70	
Coin laundry version		-	Yes	
Double drain		-	Opt.	
Weighing system / Tilting door		-	No	
SLUICE option		-	Yes	
DOOR				
Height center door / Height door		In	22.5/12.2	
Diameter		In	14.7	
POWER				
Motor		Hp	1.5	
Electric heating power		kW	9	
Total electric power (electric model)		kW	9.5	
Total electric power (hw, steam model)		kW	1.1	
CONNECTIONS			E	HW/S
Voltage 208-240/60/1~ + G		Nº x AWG / A	3 x 6 / 50A	3x 14 / 15A
Voltage 208-240/60/3~ + G		Nº x AWG / A	4 x 10 / 32A	-
Voltage 440-480/3 ~ + G		Nº x AWG / A	4 x 12 / 20A	-
Steam inlet (Steam model)		inch	1/2"	
Maximum steam consumption (Steam model)		Kg/h	8,5	
Water inlet		inch	3/4"	
Water main pressure		Kgs/cm ²	2-4	
Maximum water consumption*		Gal/H	20,8*	
Drain		mm/inch	3"	
Drainage capacity		Gal/min	52.8	
DIMENSIONS / PACKING DIMENSIONS				
Net Width/Gross width		In	28.31/30.8	
Net Depth/Gross depth		In	33.70/39.0	
Net Height / Gross height		In	45.87/55.2	
Net weight / Gross weight		Lb.	463.1/540.2	
Volume		Ft3	38.1	

* Program No. 20: DLU-25 to DLU-100C with 75% load and program no. 2: DLU-135C and 180C with 100% load



1. Soap dispenser
2. Emergency stop
3. USB Port
4. Drain
5. Electric connection to liquid soap pumps
6. Electrical connection
7. Main switch
8. Auxiliary water inlet
9. Hot water inlet
10. Equipotential connection
11. Cold water inlet
12. Blur output / water overload
13. Liquid soap connection
14. Steam connection
15. Ethernet port
16. Clean side light

		A	B	C	D	E	F	G	H	I	J	K	L	M	N	O	P	Q	R	S	T	U	V	W	X	Y	CGY	CGZ
DLU-30	mm	719	856	1165	310	373	148	440	886	1054	889	1073	958	61	74	101	316	376	637	475	211	654	607	1053	416	1053	484	524
	inch	28.31	33.70	45.87	12.20	14.69	5.83	17.32	34.88	41.50	35.00	42.24	37.72	2.40	2.91	3.98	12.44	14.80	25.08	18.70	8.31	25.75	23.90	41.46	16.38	41.46	19.06	20.63