


THE BENCHMARK MACHINES

OPL ON-PREMISE LAUNDRY

 **Electric Heating**

Up to 7 Years Warranty

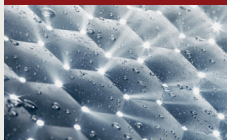


PDW 909 | 20 lbs. PERFORMANCE-PLUS

Features

- M Touch Pro Plus freely programmable color display (washer) & M Touch Pro programmable color display (dryer)
- Short program cycles
- Patented Honeycomb Drum
- G-force of 518 (washer)
- High durability: tested for 30,000 operating hours
- Safe disinfection
- Low consumption values

Exclusive to Miele



Patented Honeycomb Drum

The Honeycomb drum creates a thin film of water between the drum wall and the laundry. Textiles are treated more gently. Garments keep their shape and last longer.



Short Program Cycles

Premium commercial technology allows you to benefit from quick and efficient program cycles.



EcoSpeed Patented Wash Process

The EcoSpeed washing process features an optimized drum rhythm and enhanced washing action, allowing intensive cleaning performance with



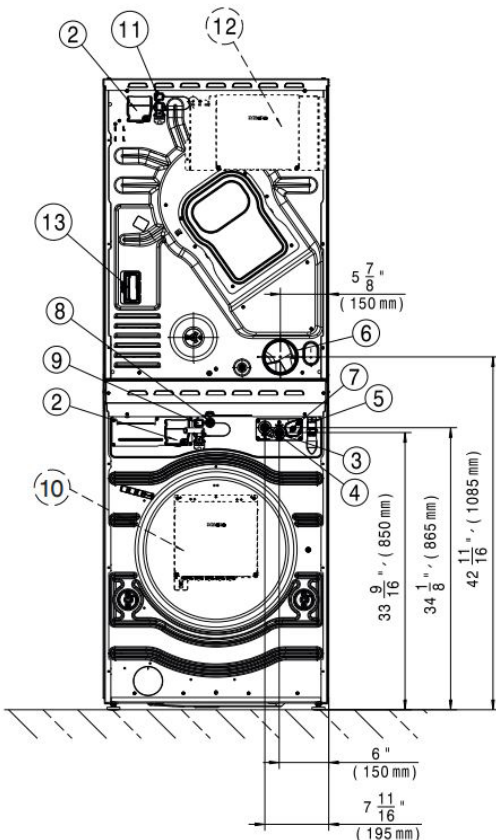
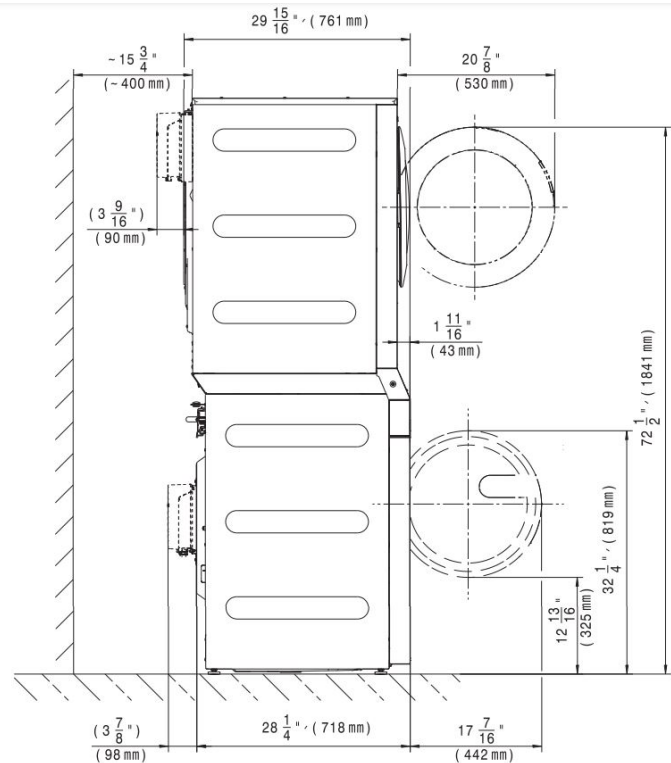
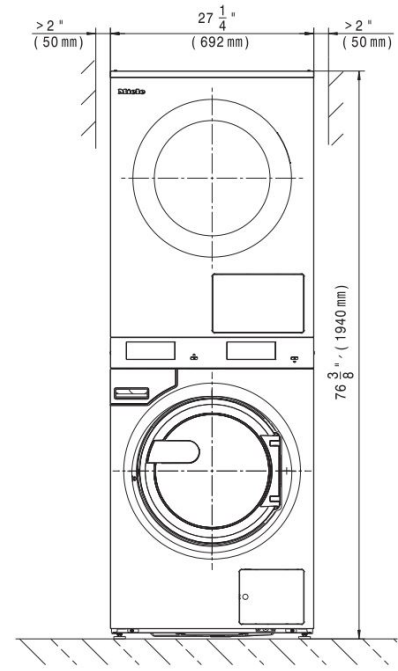
Proven Hygiene

Our washing machines in the Benchmark series remove more than 99.9% of all viruses (including coronaviruses).

Model	Heat Type	Electrical Specification Voltage/Hz/Phase (Amp)	Color	Material No.	Article No.
Washer/Dryer Stacked Bundle	Electric		Iron Grey		
Bundle includes:					
PDW 909, Drain Pump Washer	Electric	208, 240/60/1 (2 x 30 A)	Iron Grey	12345880	51909523NAM
PDR 909 Dryer	Electric	208, 240/60/1 (2 x 30 A)	Iron Grey	12345890	52909523NAM
APWM 018	Connector Kit for washer PWM 20-25 lbs. To be installed on a wall or on the washer.			12406170	59510018NAM

Specifications

Capacity	20 lbs. (2 x 9 kg)
Cylinder Diameter	21 ⁹ / ₁₆ in. (548 mm) / 25 ⁹ / ₁₆ in. (649 mm) mm
Cylinder Depth	12 ¹ / ₄ in. (312 mm) / 21 ⁵ / ₈ in. (550 mm)
Cylinder Volume	2.8 cu.ft. (80 l) / 6.4 cu.ft. (180 l)
Machine Dimensions (WxDxH)	27 ¹ / ₄ x 29 ¹⁵ / ₁₆ x 76 ³ / ₈ in. (692 x 761 x 1,940 mm)
Door Opening	14 ⁹ / ₁₆ in. (370 mm) / 17 ⁵ / ₁₆ in. (440 mm)
Floor to Door	12 ¹³ / ₁₆ in. (326 mm) / 12 in. (305 mm)
Reversible Door	No
Shipping Dimensions (WxDxH)	29 ¹ / ₂ x 32 ¹³ / ₁₆ x 47 ³ / ₁₆ in. & 29 ¹⁵ / ₁₆ x 32 ¹ / ₄ x 47 ¹³ / ₁₆ in. (750 x 817 x 1,214 mm) & (760 x 820 x 1,215 mm)
Net Weight	459 lbs. (208 kg)
Crated Weight	511 lbs. (232 kg)
Wash Speed	46 rpm
Extract Speed	1,300 rpm
G-force	518
Water Inlets	2 x ³ / ₄ in. (203 x 19 mm)
Drain Diameter Drain Pump	7/8 in. (22 mm)
Recommended Water Pressure	14.5 - 145 psi
Water Flow Drain Pump	6.9 gal/min. (26 l/min.)
Min. Recommended Distance Between Machines	2 in. (50mm)
Plug/connection cable	NEMA plug: Twist Lock L6-30
Agency Approvals	Intertek



Heating	Voltage (Voltage/Hz/Phase)	Wire	Circuit Breaker Amps	Running Amps	Total Power (kW)
Electric Washer	208, 240/60/1	2 Wire + Ground	30	22.4	5.2
Electric Dryer	208, 240/60/1	2 Wire + Ground	30	21.9	4.0 (208V) 5.2 (240V)

Specifications subject to change without notice or obligation. Contact Miele USA at (800) 991-9380 or Miele Canada at (888) 325-3957 for dimensions not shown or for clarification.