

TOUCH II

7" touchscreen, user friendly and totally programmable.
 Videos on display, ads, instructions.
 37 Languages.
 Free software for programming, telemetry, data analysis.
 USB Connection

OUTSTANDING FEATURES

Reversing drum action is standard.
 Stainless steel drum is standard.
 Frequency inverter is standard.

EFFICIENCY

EFFICIENT DRY - Intelligent humidity control, with new drum inlet temperature control.
 AIR RE-CYCLE - Efficient air recirculation system.
 THERMAL INSULATION - Complete air-flow circuit and double door glass.
 New optimized system of mixed airflow.

VERSATILITY

Make to order - customization.
 WET CLEANING configuration.

CONNECTIVITY

Standard IoT Domus Connect.
 Management for laundries: OPL and self-service.

ERGONOMICS

Lint Filter Drawer, stainless steel mesh.
 Large Loading doors.

MAINTENANCE

Hinged control panel: easy and ergonomic access.
 Technical menu: statistics for technicians.

OTHERS

Grey skin plate outer casing, stainless steel look.
NEW: Geared motor drive on models UDTT-100 to UDTT-180
 SFEX - Integrated Fire Extinguishing System.
 SOFT DRY - new drum with stamped holes.
 COOL DOWN - anti-wrinkle at the end of the cycle.
 Heating options: natural gas or propane.
 CE approved

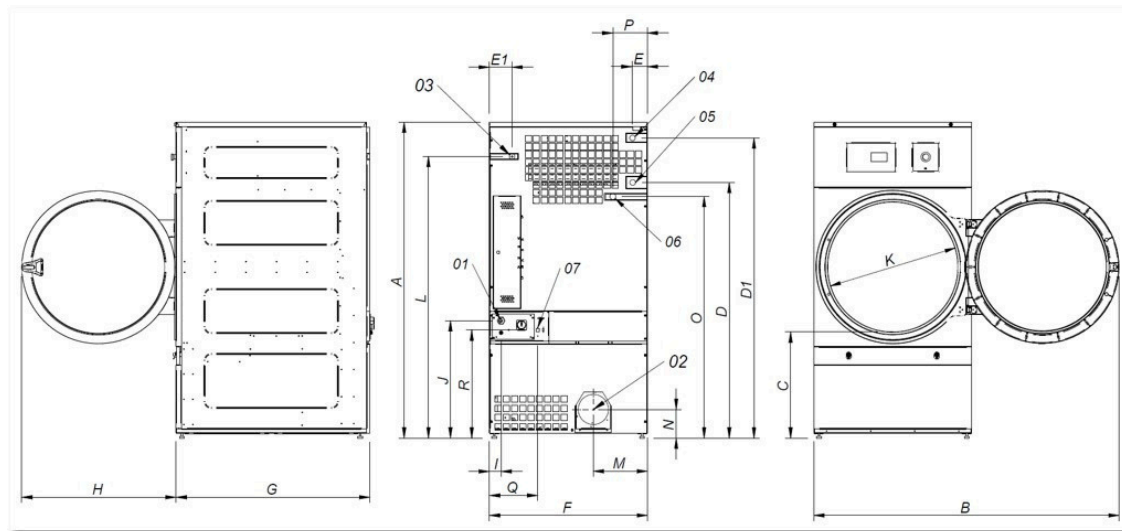


OPTIONS

- License IoT - Domus Connect
- Natural gas heated tumble dryer
- Opposite door opening UDTT-25 to UDTT-80
- Tropicalized model
- Dosing Spraying
- Back panel with air filter UDTM-25 to UDTM-80
- Lint filter with grid 0.02 In (standard is 0.01 In)
- Lint filter with grid 0.04 In (standard is 0.01 In)
- Stainless steel front and side panels UDTT-65
- Front panel in stainless steel UDTT-65/80

CAPACITY & DRUM		UNIT.	UDTT-65 ECO-ENERGY
Capacity 1/18		Kg	30.5
		lb	67.3
Capacity 1/20		Kg	27.5
		lb	60.6
Ø Drum		mm	947
		inch	37.28
Drum length		mm	780
		inch	30.71
Drum volume		l	550
		cu ft	19.42
Ø Door hole		mm	802
		inch	31.57
Door center height		mm	1040
		inch	40.94
Height from floor to bottom of door		mm	578
		inch	22.74
ELECTRIC HEATING			
Evaporation capacity		L/h	26.80
		US gallon/h	7.1
Hourly output		Kg/h	51.60
		lb/h	113.8
Installed heating power		kW	30
Installed electrical power		kW	31.35
Drum motor power		kW	0.55
GAS HEATING			
Evaporation capacity (gas model)		L/h	31.80
		US gallon/h	8.4
Hourly output (gas model)		Kg/h	61.10
		lb/h	134.7
Installed gas heating power		kcal/h	35276
		Btu/h	139986
Installed gas heating power		kW	41
Installed electrical power		kW	1.35
Instant propane gas consumption (G31)		Kg/h	3.51
		lb/h	7.74
Instant natural gas consumption (G20)		m ³ /h	4.34
		cfm	2.55
Ø Gas inlet		BSPP ISO 228-1	1/2"
STEAM HEATING			
Installed steam heating power		kW	50.10
		Btu/h	170948
Installed electrical power		kW	1.35
Steam consumption (8 barG) - Standard		kg/h	89
Steam consumption (116 psiG)		lb/h	107.2
Steam pressure		barG	6 - 9
		psiG	87 - 130.5
Standard steam inlet - outlet		BSPT- ISO7.1	1"
Standard steam inlet - outlet		NPT ANSI B1.20.1 Tapered	1"
Steam consumption (5 barG) - Low Pressure		kg/h	93
Steam consumption (72,5 psiG) - Low Pressure		lb/h	112
Steam pressure (low pressure)		barG	3 - 6
		psiG	43.5 - 87
Low pressure steam inlet - outlet		BSPT- ISO7.1	1" 1/2
THERMAL OIL HEATING			
Installed heating power		kW	-
Installed electrical power		kW	-
Fluid consumption (T max 175°C)		m ³ /h	-

Thermal oil connection	BSP	-	
VENTILATION			
Fan motor power	kW	0.75	
Nominal air flow rate	m ³ /h	1500	
	cfm	882.9	
Ø Fume exhaust	mm	200	
Ø Fume exhaust	inch	7.87	
HEAT EMISSION			
Maximum total heat emission	kW	2.4	
	Btu/h	8193.9	
Max. front heat emission	kW	1.5	
	Btu/h	5121.2	
CONNECTIONS			
Voltage 120/60/1~ + G	Nº x AWG/ A	E	S
Voltage 230/3~ + G	-	-	3 X 12 /20 A
Voltage 480/3~ + G	-	-	-
NET DIMENSIONS / D. WITH PACKING			
Net / gross width	mm	985 / 1065	
	inch	38.78 / 41.93	
Net / gross depth	mm	1054 / 1154	
	inch	41.50 / 45.43	
Net height / gross height without heating	mm	1975 / 2080	
	inch	77.76 / 81.89	
Net / gross weight	Kg	230 / 260	
	lb	507.06 / 573.20	
OTHERS			
Sound level	dB	65	



- 01 Power supply
- 02 Fumes output Ø 200
- 03 Gas inlet 1/2"
- 04 Steam inlet 1"
- 05 Condensate 1"
- 06 Sprinkler valve 3/4"
- 07 Ethernet connection (only TOUCH Control)

UDTT-65	A	B	C	D	D1	E	E1	F	G	H	I	J	K	L	M	N	O	P	Q	R
ECO-ENERGY	77.75	75.19	25.94	62.59	73.81	4.01	5.11	38.77	41.49	38.18	2.75	28.74	31.57	69.29	13.2	7.08	59.44	8.46	11.8	26.61