

TOUCH II

7" touchscreen, user friendly and totally programmable.
 Videos on display, ads, instructions.
 37 Languages.
 Free software for programming, telemetry, data analysis.
 USB Connection

OUTSTANDING FEATURES

Reversing drum action is standard.
 Stainless steel drum (**optional**).
 Frequency inverter is standard.

EFFICIENCY

Double Flow: mixed axial-radial airflow, Optional.
 Large Lint filter.

VERSATILITY

Make to order - customization.
 OPL > Coin laundry - Standard OPL model easily transformable to coin laundry uses WET CLEANING configuration.

CONNECTIVITY

IoT - **DOMUSCONNECT** standard.
 Management of laundries: OPL and self-service.

ERGONOMICS

Lint Filter Drawer, stainless steel mesh.
 Large Loading doors.

MAINTENANCE

Hinged control panel: easy and ergonomic access.
 Technical menu: statistics for technicians.
 Easy access to parts for reparability.

OTHERS

Grey skin plate outer casing, stainless steel look.
NEW: Geared motor drive on models UDTT-100 to UDTT-180
 SOFT DRY - new drum with stamped holes.
 COOL DOWN - anti-wrinkle at the end of the cycle.
 Heating options: natural gas and propane.
 CE approved

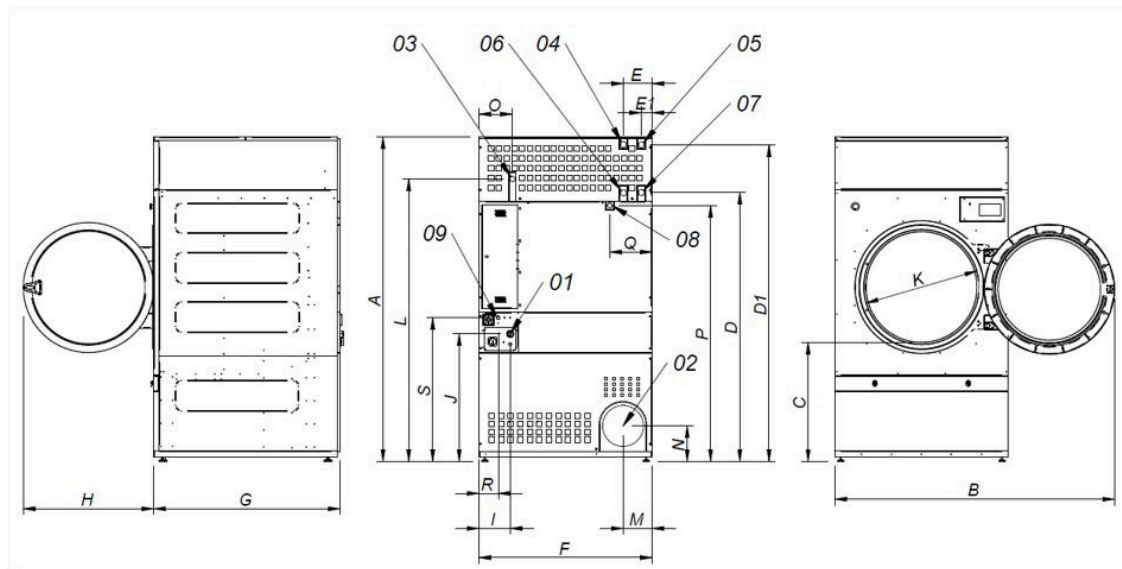


OPTIONS

- License IoT - Domus Connect
- Back panel with air filter UDTT-100/135/180
- Natural gas heated tumble dryer
- Automatic sliding door UDTT-100/135/180 (double glass)
- Manual sliding door UDTT-100/135/180 (no double glass)
- Frontal tilting kit for models UDTT-100/135/180
- EFFICIENT DRY Humidity sensor
- Double door glass UDTT-65 to DTT-180
- Fire extinguisher SFEX UDTT-135/180
- Opposite door opening UDTT-100/135/180
- Tropicalized model • Dosing-spraying
- Back panel with air filter UDTT-25 to UDTT-80
- Lint filter with grid 0,02 In (standard is 0,01 In)
- Lint filter with grid 0.04 In (standard is 0.01 In)
- Stainless steel front and side panels UDTT-100
- Front panel in stainless steel UDTT-100/135/180

CAPACITY & DRUM	UNIT.	UDTT-135
Capacity 1/18	Kg	66.7
	lb	146.9
Capacity 1/20	Kg	60
	lb	132.3
Ø Drum	mm	1225
	inch	48.23
Drum length	mm	1020
	inch	40.16
Drum volume	l	1200
	cu ft	42.37
Ø Door hole	mm	802
	inch	31.57
Door center height	mm	1275
	inch	50.20
Height from floor to bottom of door	mm	813
	inch	31.99
ELECTRIC HEATING		
Evaporation capacity	L/h	60.2
	US gallon/h	15.9
Hourly output	Kg/h	120
	lb/h	264.6
Installed heating power	kW	72
Installed electrical power	kW	74.25
Drum motor power	kW	1.10
GAS HEATING		
Evaporation capacity (gas model)	L/h	72
	US gallon/h	17.383
Hourly output (gas model)	Kg/h	128.6
	lb/h	283.5
Installed gas heating power	kcal/h	77386
	Btu/h	307092.7
Installed gas heating power	kW	90
Installed electrical power	kW	2,25
Instant propane gas consumption (G31)	Kg/h	7.71
	lb/h	17
Instant natural gas consumption (G20)	m ³ /h	9.53
	cfm	5.61
Ø Gas inlet	BSPP ISO 228-1	3/4"
STEAM HEATING		
Installed steam heating power	kW	128
	Btu/h	436754
Installed electrical power	kW	2.25
Steam consumption (8 barG) - Standard	kg/h	171
Steam consumption (116 psiG)	lb/h	206
Steam pressure	barG	7 - 12
	psiG	101.5 - 177
Standard steam inlet - outlet	BSPT- ISO7.1	1"
Standard steam inlet - outlet	NPT ANSI B1.20.1 Tapered	1"
Steam consumption (5 barG) - Low Pressure	kg/h	147
Steam consumption (72,5 psiG) - Low Pressure	lb/h	177.1
Steam pressure (low pressure)	barG	4 - 7
	psiG	58 - 101.5
Low pressure steam inlet - outlet	BSPT- ISO7.1	1" 1/2
THERMAL OIL HEATING		
Installed heating power	kW	128
Installed electrical power	kW	2.25
Fluid consumption (T max 175°C)	m ³ /h	10

Thermal oil connection	BSP	1" 1/2	
VENTILATION			
Fan motor power	kW	1.1	
	m ³ /h	3000	
Nominal air flow rate	cfm	1765.73	
Ø Fume exhaust	mm	300	
Ø Fume exhaust	inch	11.81	
HEAT EMISSION			
Maximum total heat emission	kW	6.48	
	Btu/h	22123.6	
Max. front heat emission	kW	2.88	
	Btu/h	9832.7	
CONNECTIONS			
Voltage 208-240/60/1~ + G	-	E	S
Voltage 230/3~ + G	Nº x AWG / A	-	4 x 10 / 25A
Voltage 440-480/3 ~ + G	Nº x AWG / A	-	5 x 14/ 15A
NET DIMENSIONS / D. WITH PACKING			
Net / gross width	mm	1270 / 1330	
	inch	50 / 52.36	
Net / gross depth	mm	1366 / 1455	
	inch	53.78 / 57.28	
Net height / gross height without heating	mm	2380 /*2200	
	inch	93.70 /*86.61	
Net / gross weight	Kg	529 / 575	
	lb	1166.25 / 1267.66	
OTHERS			
Sound level	dB	67	



- 01 Power supply
- 02 Fumes output Ø 300
- 03 Gas inlet 1/2"
- 04 Steam inlet 1"
(UDTT-100)
- 05 Steam inlet 1"
(UDTT-135-180)
- 06 Condensate outlet 1"
(UDTT-100)
- 07 Condensate outlet 1"
(UDTT-135-180)
- 08 Sprinkler valve 3/4"
- 09 Ethernet connection
(only TOUCH Control)

UDTT-	A	B	C	D	D1	E	E1	F	G	H	I	J	K	L	M	N	O	P	Q	R	S
135	93.70	80.51	34.4	77.99	90.98	8.30	3.1	50	43.54	37.6	9.76	36.8	31.5	82.20	8.42	9.44	9.60	72.48	12.1	6.29	41.45