

TOUCH II

7" touchscreen, user friendly and totally programmable.
 Videos on display, ads, instructions.
 37 Languages.
 Free software for programming, telemetry, data analysis.
 USB Connection

G FORCE

G-FACTOR 500 (25 - 40 Lbs.)
 G-FACTOR 450 (50 - 180C Lbs.)
 G-FACTOR 350 (230C - 275C Lbs.).
 It reduces the residual moisture.

EFFICIENCY

Optimal loading: manual indication of weight.
 Intelligent consumption: automatic adjustment of water and soap consumptions (standard).
ECOTANK and **ECOTANK XL**.
 Low water consumption.

VERSATILITY

Custom - Make to order
 OPL or COIN (DHU-25 up to DHU-100C).
 Electric or Hot water.
 Drain valve or Pump (DHU-25/14).
 Wet cleaning features.

CONNECTIVITY

IoT - **DOMUSCONNECT** standard.
 Remote technical service.
 Management for laundries: OPL and COIN.

ERGONOMICS

Reversible doors.
 Large Loading doors:
 • Ø 373 (25, 30 Lbs.)
 • Ø 460 (40, 50, 65 Lbs.)
 • Ø 560 (80, 100, 135, 180 Lbs.)
 • Ø 700 (230, 275 Lbs.)

MAINTENANCE

Hinged control panel: easy and ergonomic access.
 Technical menu: statistics for technicians.

OTHERS

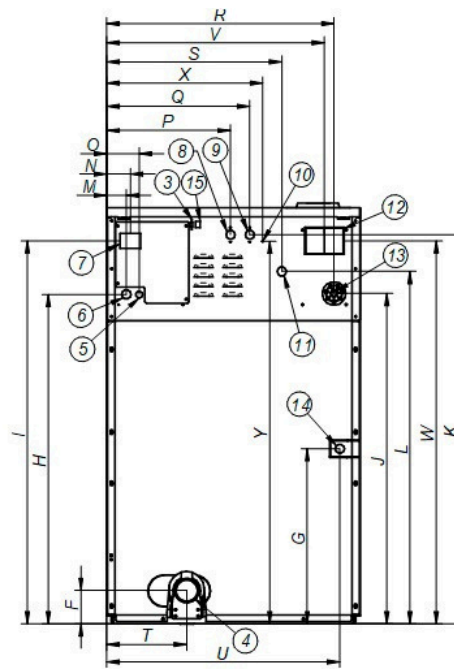
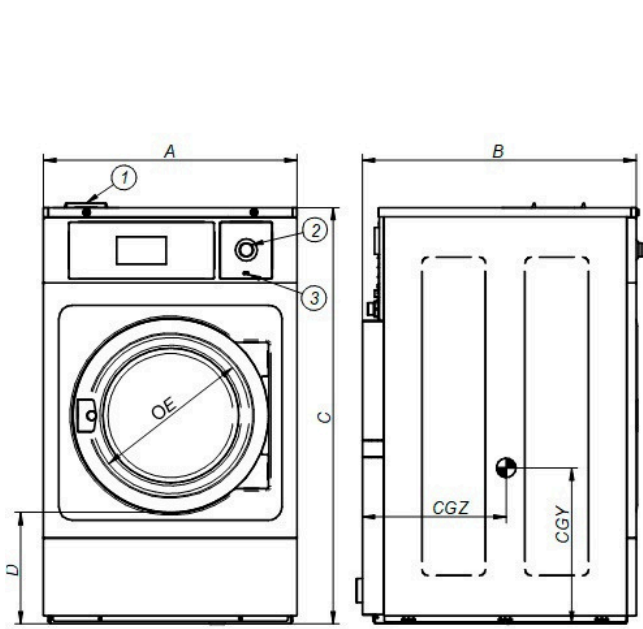
Drum in stainless steel AISI 304.
 Detergent dispenser with 4 compartments.
 Soft mounted washers, free standing.
 CB and WRAS approved product.



OPTIONS

- License IoT - Domus Connect
- Ready for ECOTANK conn. 3/4" for washers DLU/DHU-25-65
- EXTRA DOSING PUMP DB-1
- Drain pump kit for DHU-25/30
- Water Recovery Tank.
- Leveling pads for DHU-25 to DHU-65
- Weighing sensor system on feet for DHU-25 to DHU-100C.
- 6 extra dosing signals card for DHU-25 to DHS-100C.
- Silicon gasket DHU-25/30
- Reverse door open.
- Tropicalized model: protected board for DHU-80C/100C. (135C to 275C Lbs. included standard)
- Kit to transform an E or HW DHU-25/30/50/65 to steam
- Plinth for mops with drawer DHU-30 stainless steel
- Plinth for mops with drawer DHU-30 SKINPLATE
- Stainless steel plinth for DHU-25 to level all machines from top
- Skin plate plinth for DHU-25 to level all machines from top
- Stainless steel plinth for DHU-25 to align the door base at 33.46 In
- Skin plate plinth for DHU-25 to align the door base at 33.46 In
- Stainless steel AISI 304 outer casing for DHU-30.
- Stainless steel AISI 304 front and top panel for DHU-30.
- Auto unlock kit for the door (in case of power failure) DLU-DHU

DRUM	UNIT.	DHU-30 TOUCH II	
Capacity 1/9	Lb.	30.9	
Capacity 1/10	Lb.	28.7	
Volume	CU.FT	4.6	
Diameter	In	24.4	
Depth	In	16.9	
GENERAL DETAILS			
Washing speed / Spinning speed	r.p.m.	50 / 1204	
G Factor	-	500	
Maximum force transmitted	KN	2.49 ±1.05	
Frequency-dynamic force	Hz	16.7	
Noise level	dB	< 70	
Coin laundry version	-	YES	
Double drain	-	OPT.	
Weighing system / Tilting door	-	OPT./NO	
SLUICE option	-	NO	
DOOR			
Height center door / Height door	In	27.6 / 17.3	
Diameter	In	14.7	
POWER			
Motor	Hp	1.5	
Electric heating power	kW	9	
Total electric power (electric model)	kW	9.4	
Total electric power (hw, steam model)	kW	1.1	
CONNECTIONS		E	HW/S
Voltage 208-240/60/1~ + G	Nº x AWG / A	3 x 6 / 50A	3x 14 / 15A
Voltage 208-240/60/3~ + G	Nº x AWG / A	4 x 10 / 32A	-
Voltage 440-480/3 ~ + G	Nº x AWG / A	4 x 12 / 20A	-
Steam inlet (Steam model)	inch	1/2"	
Maximum steam consumption (Steam model)	Kg/h	8,5	
Water inlet	inch	3/4"	
Water main pressure	Kgs/cm ²	2-4	
Maximum water consumption*	Gal/h	23.4*	
Drain	mm/inch	3"	
Drainage capacity	Gal/min	58.1	
DIMENSIONS / PACKING DIMENSIONS			
Net Width/Gross width	In	31.02/33.5	
Net Depth/Gross depth	In	34.2140	
Net Height / Gross height	In	51.46/63	
Net weight / Gross weight	Lb.	520.4/605.3	
Volume	Ft ³	48.7	



1. Soap dispenser
2. Emergency stop
3. USB port
4. Drain
5. Electric connection to liquid soap pumps
6. Electrical connection
7. Main switch
8. Auxiliary water inlet
9. Hot water inlet
10. Equipotential connection
11. Cold water inlet
12. Blur output / Water overload
13. Liquid soap connection
14. Steam connection
15. Ethernet port
16. Clean side light

	A	B	C	D	E	F	G	H	I	J	K	L	M	N	O	P	Q	R	S	T	U	V	W	X	Y	CGY	CGZ	
DHU-30	788	869	1307	440	373	125	385	1032	1202	1037	1221	1106	61	74	101	385	445	706	544	243	718	676	1202	485	1297	450	651	
	inch	31.02	34.21	51.46	17.32	14.69	4.92	15.16	40.71	47.32	40.83	48.07	43.54	2.40	2.91	3.98	15.16	17.52	27.80	21.42	9.57	28.27	26.61	47.32	19.09	47.28	17.72	25.63